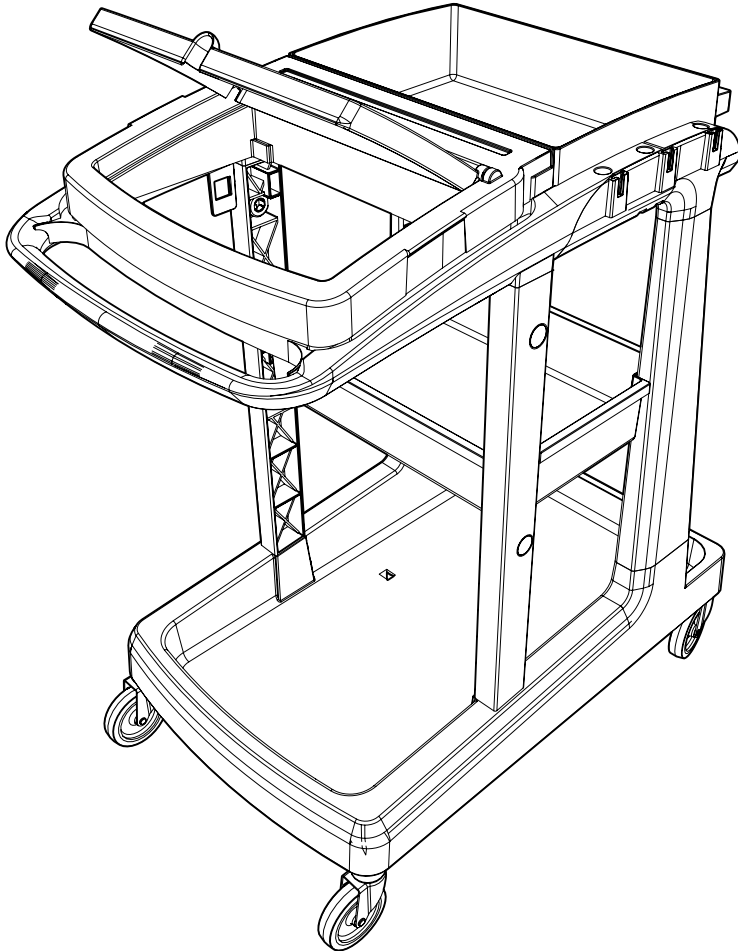


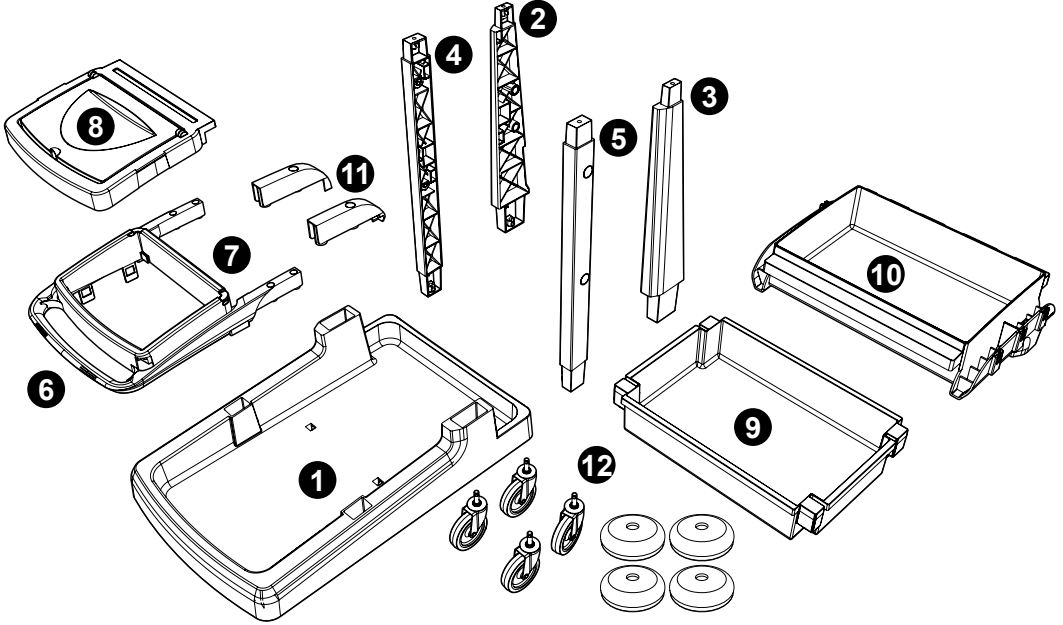
EcoMatic EM-1

Trolley Assembly



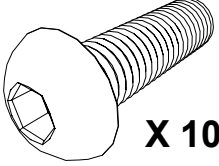


0.25 HR



Item	Description	Qty
1	Ecomatic short reflo base	1
2	Rear right hand reflo upright	1
3	Rear left hand reflo upright	1
4	Front right hand reflo upright	1
5	Front left hand reflo upright	1
6	Reflo bag frame	1
7	Reflo bag securing frame	1
8	Lid moulding	1
9	Reflo tray	1
10	Reflo top tray	1
11	Ecomatic cover moulding	2
12	Castors & Buffers (Buffers Optional Extra)	4

219555
M8 25mm Socket Bolt



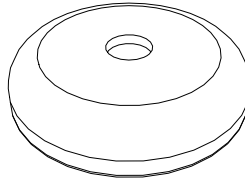
X 10

219554
Allen Key

X 1

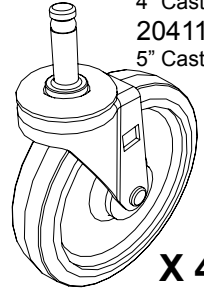


909367
Buffer



X 4

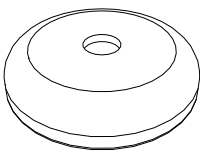
911354
4" Castor
204113
5" Castor



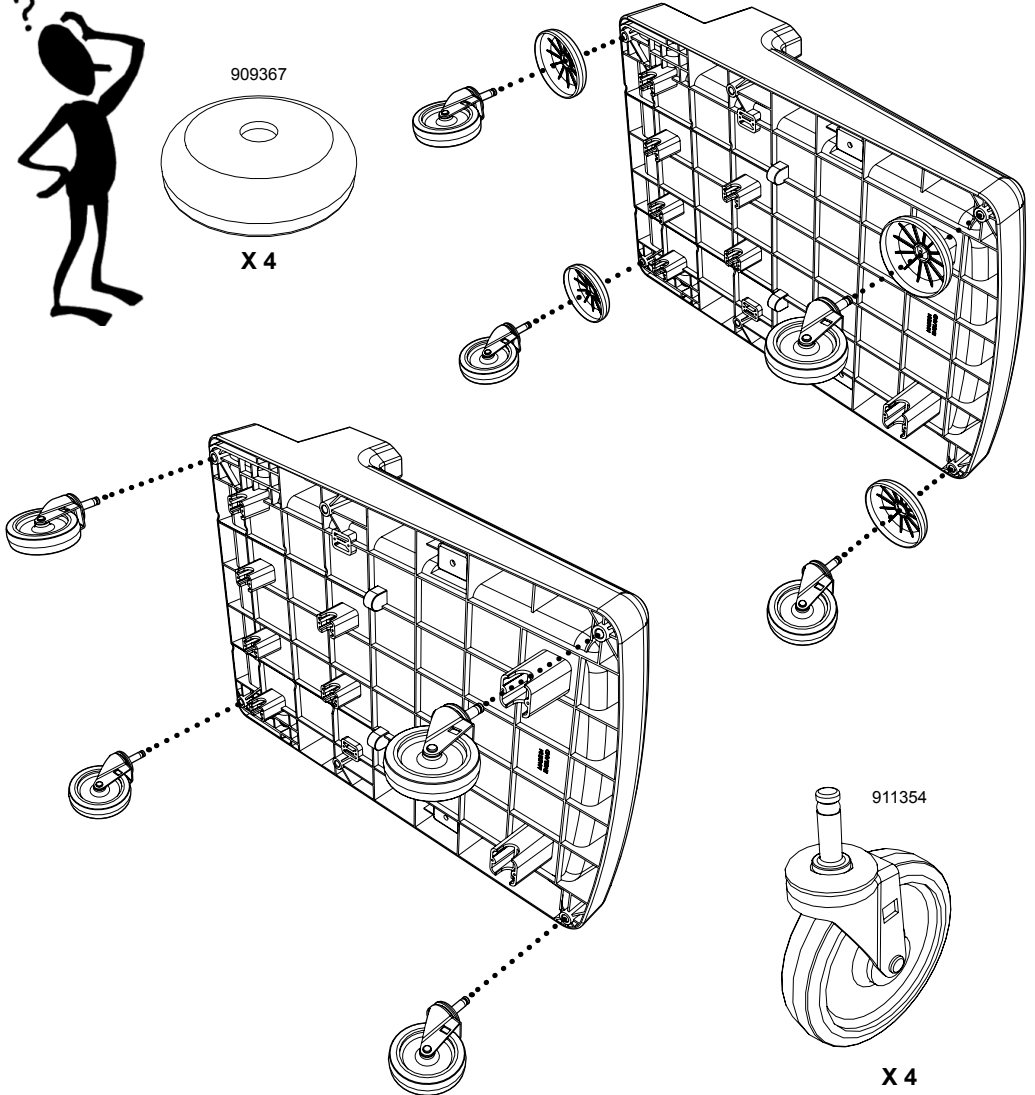
X 4



909367

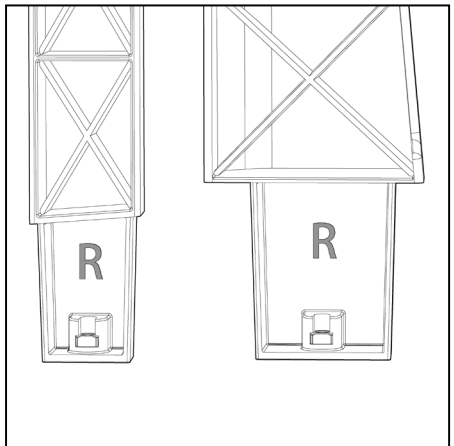
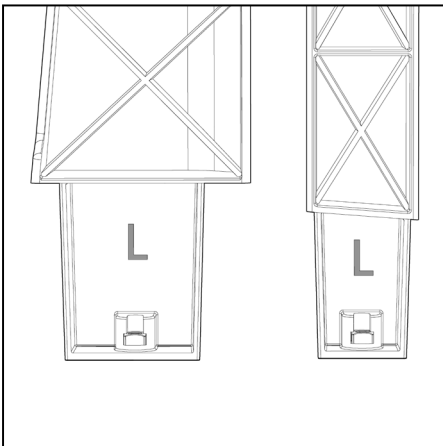
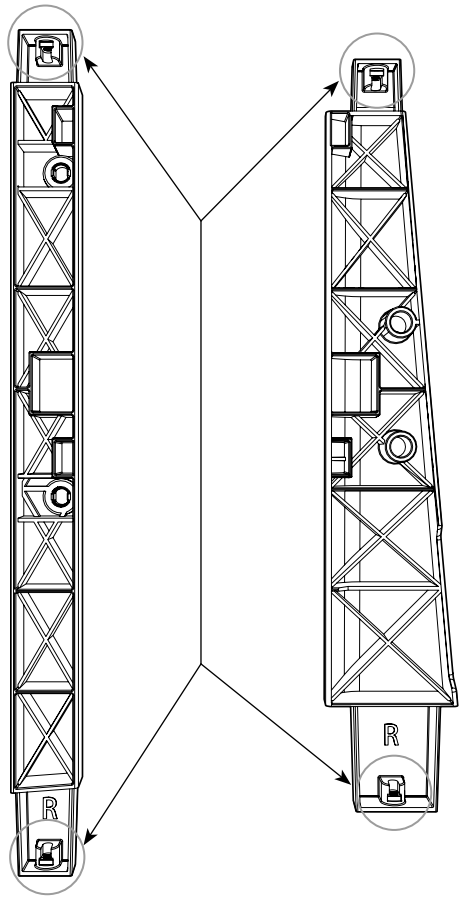
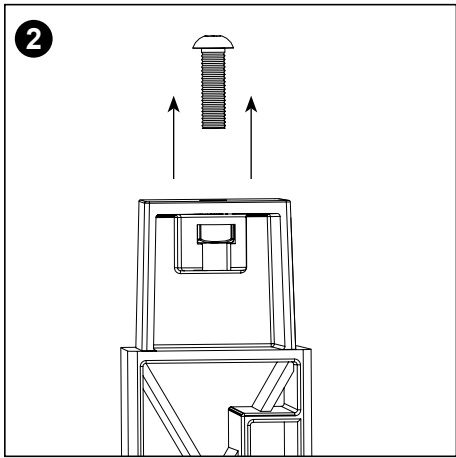
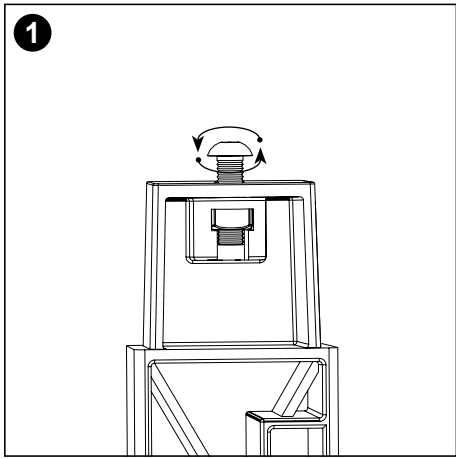


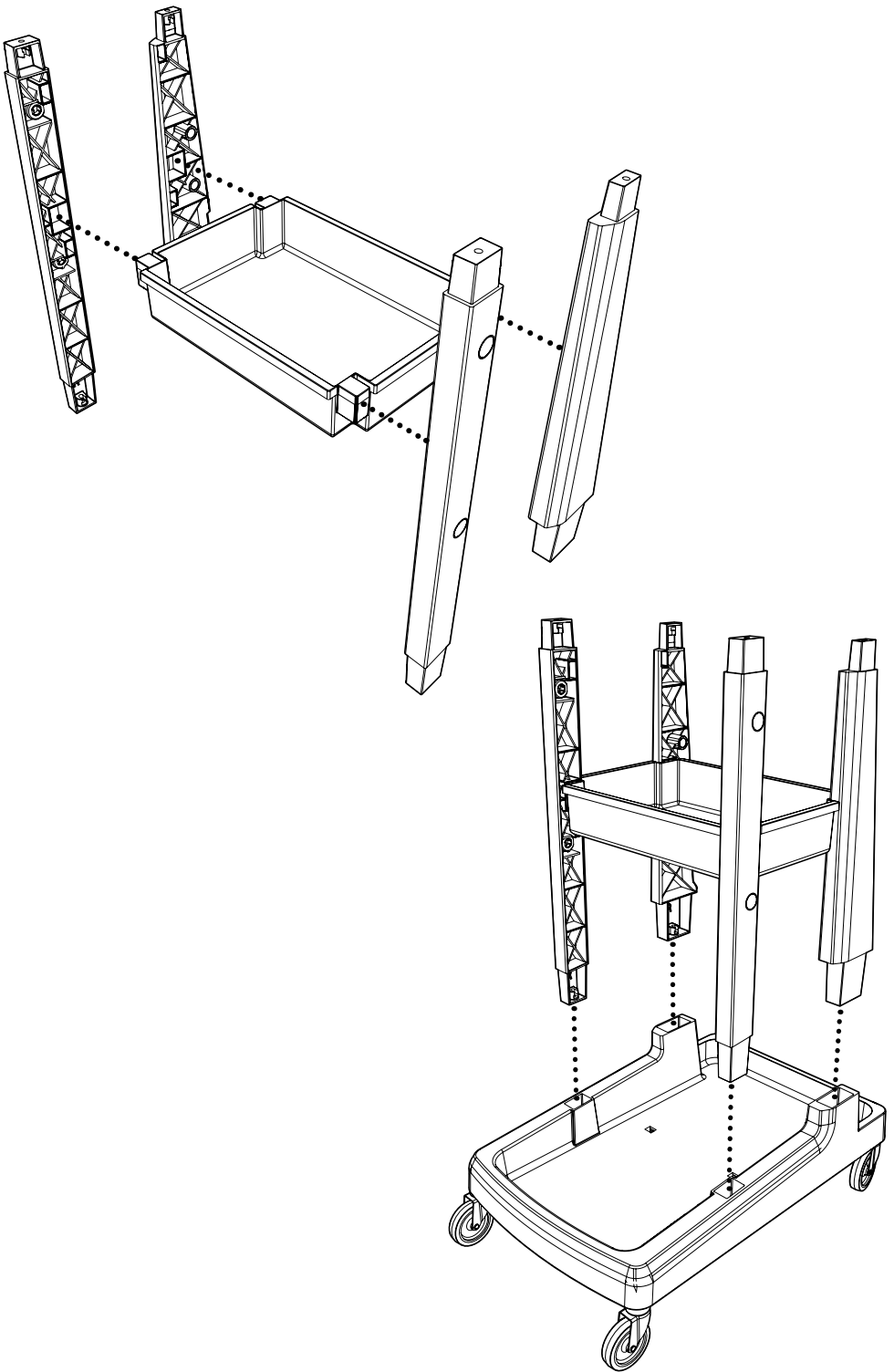
X 4

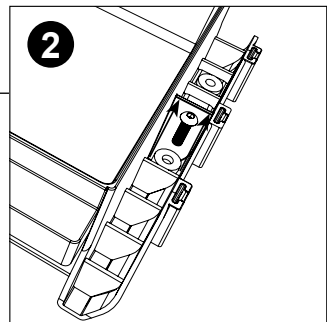
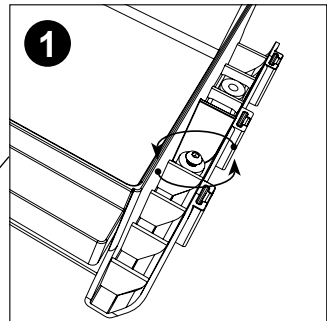
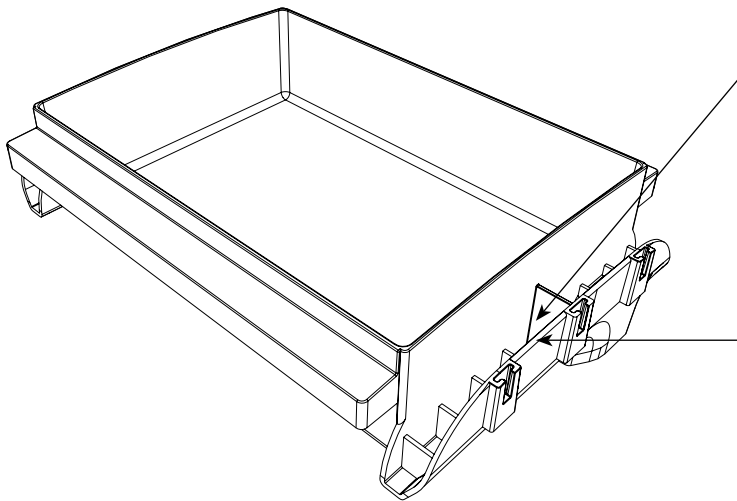
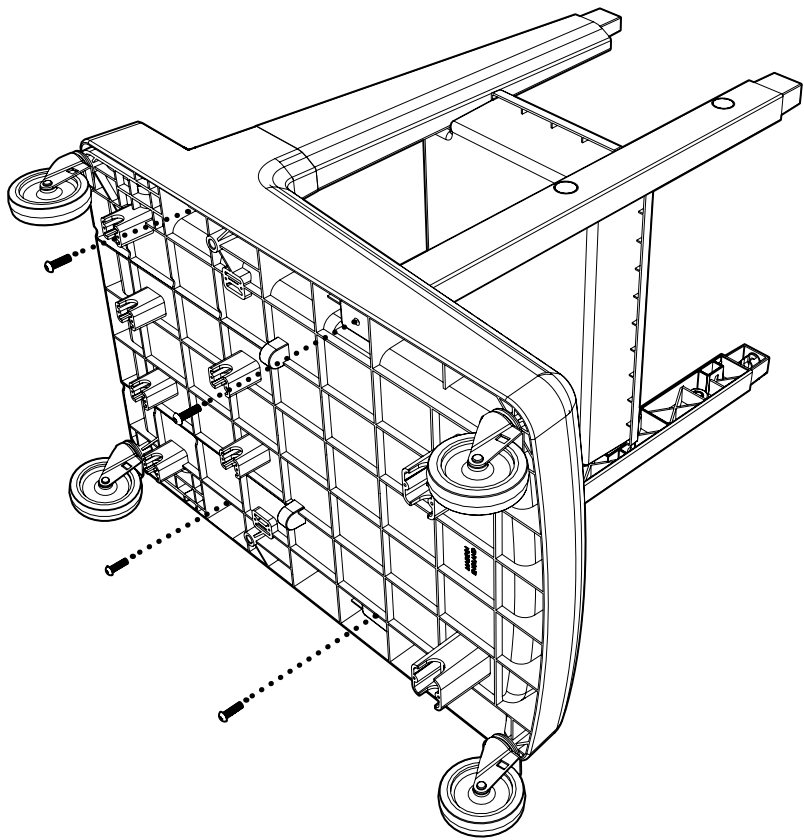


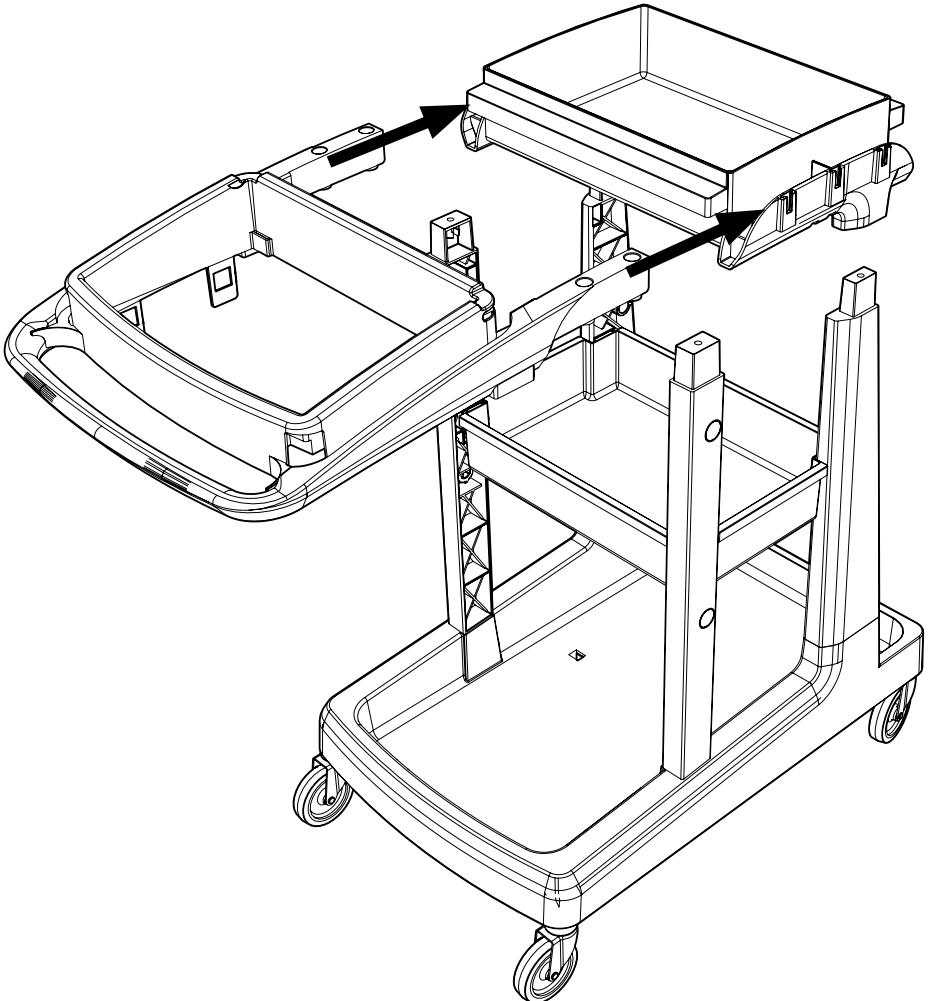
911354

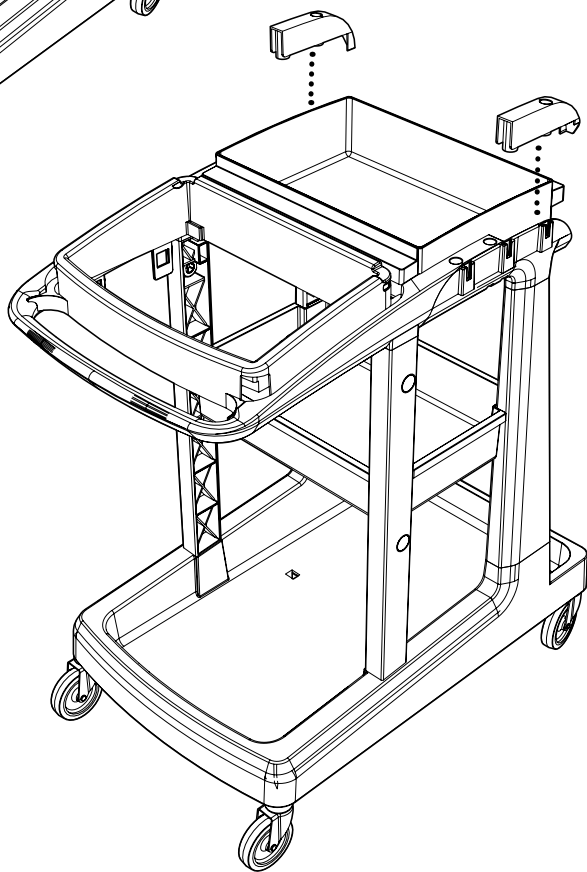
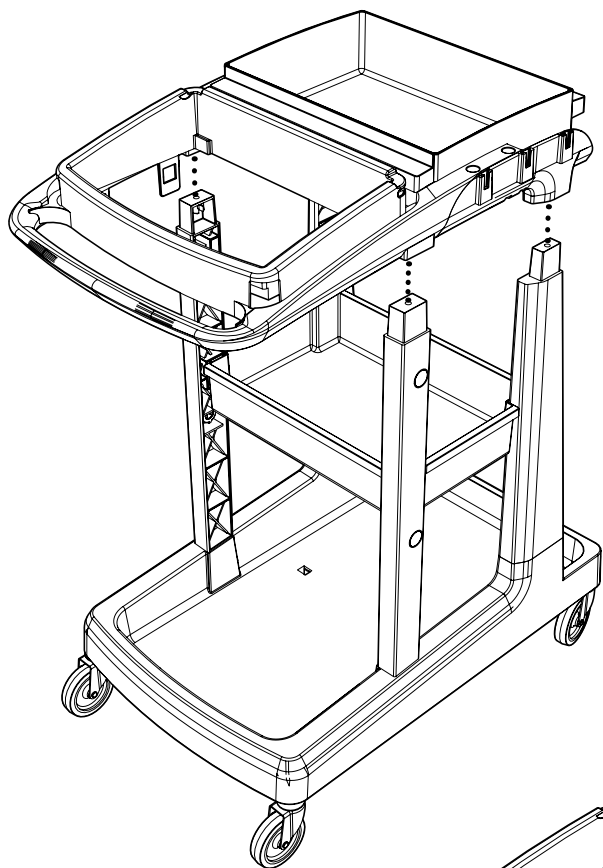
X 4

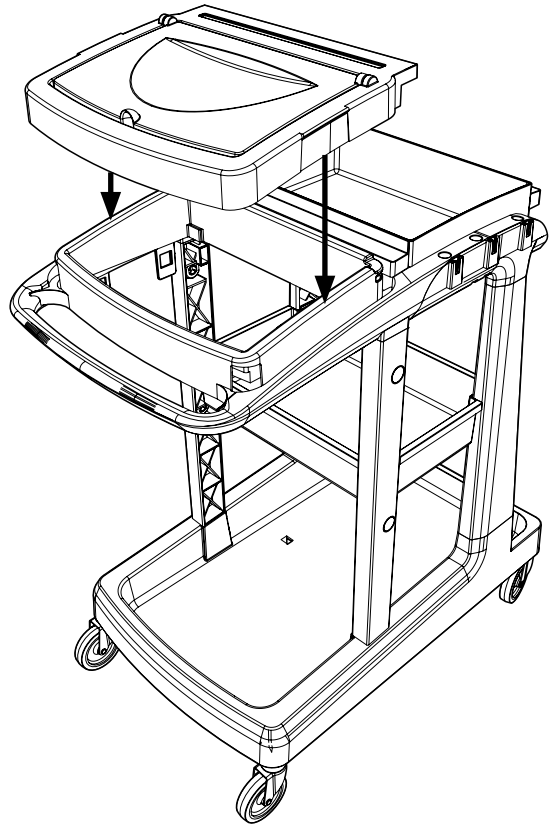
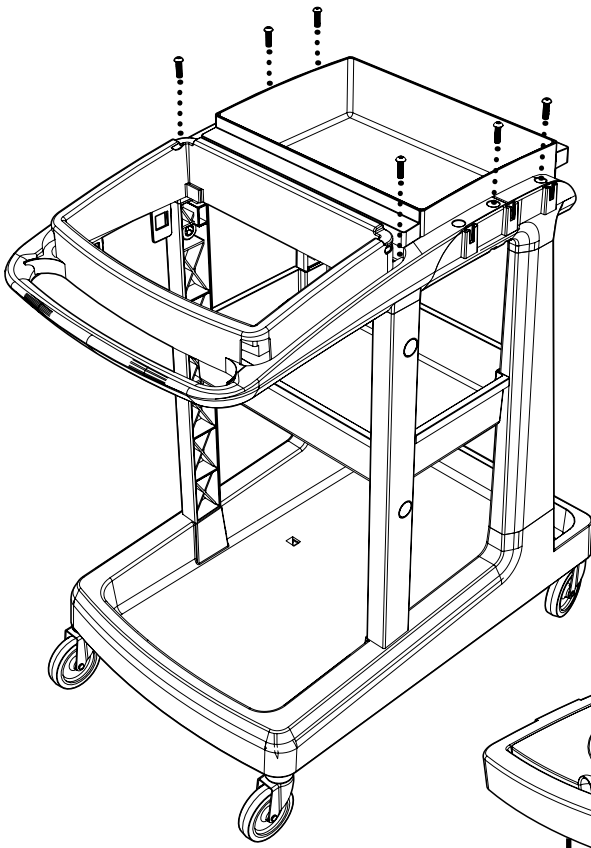












EcoMatic EM-1 Trolley Assembly

