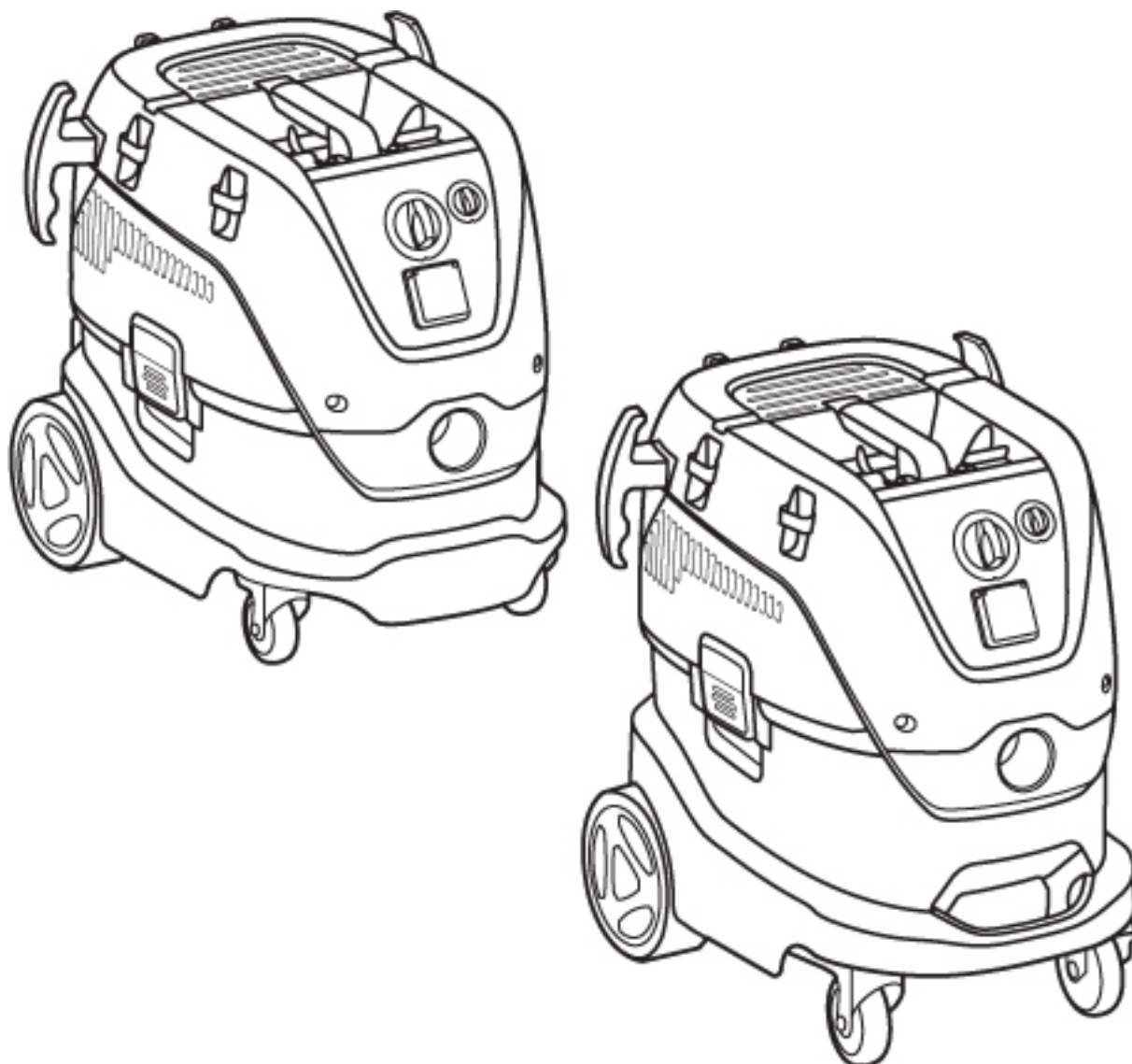


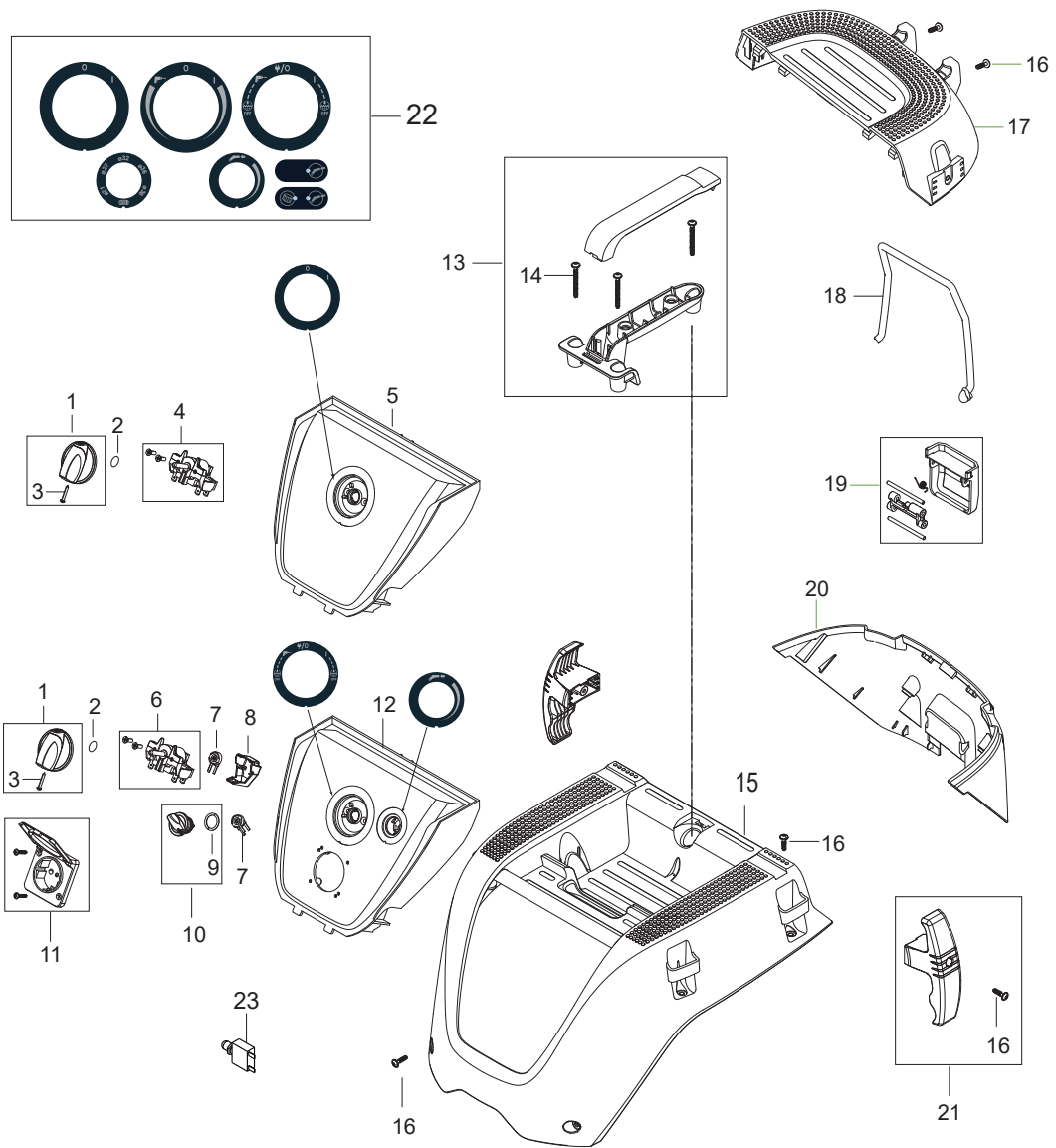
PARTS LIST



2023.03.01

TABLE OF CONTENTS

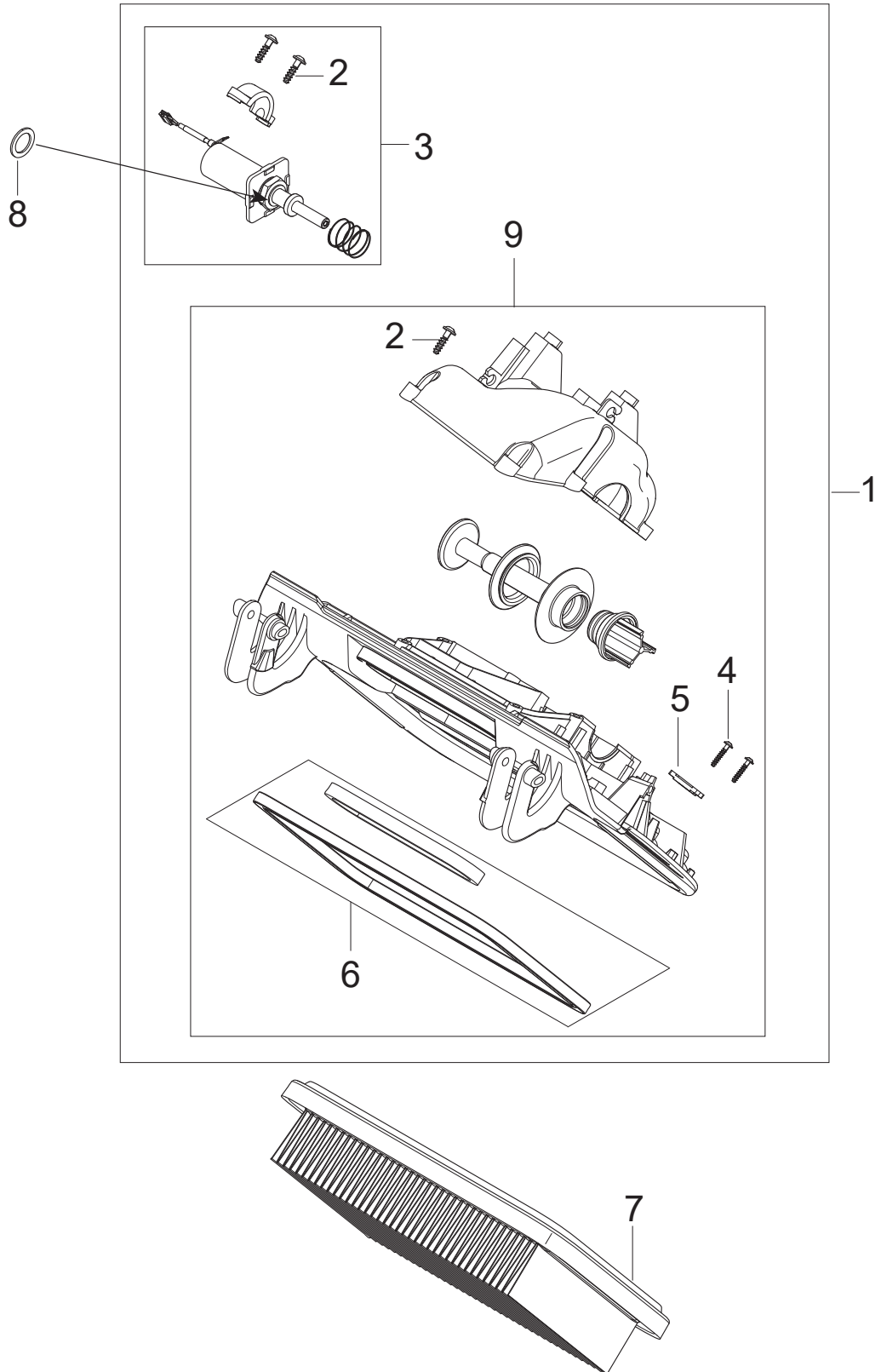
| | |
|--|----|
| Cabinet and control panel 01 IC -21 IC - 2L IC | 1 |
| Filter system IC | 3 |
| Suction unit L | 5 |
| Base_M_L | 7 |
| Container 30L | 9 |
| Filter and bags | 11 |
| Hoses, tubes and nozzles | 13 |
| RECOMMENDED SPARE PARTS | 15 |
| Accessories 1 | 18 |
| Airbox | 20 |



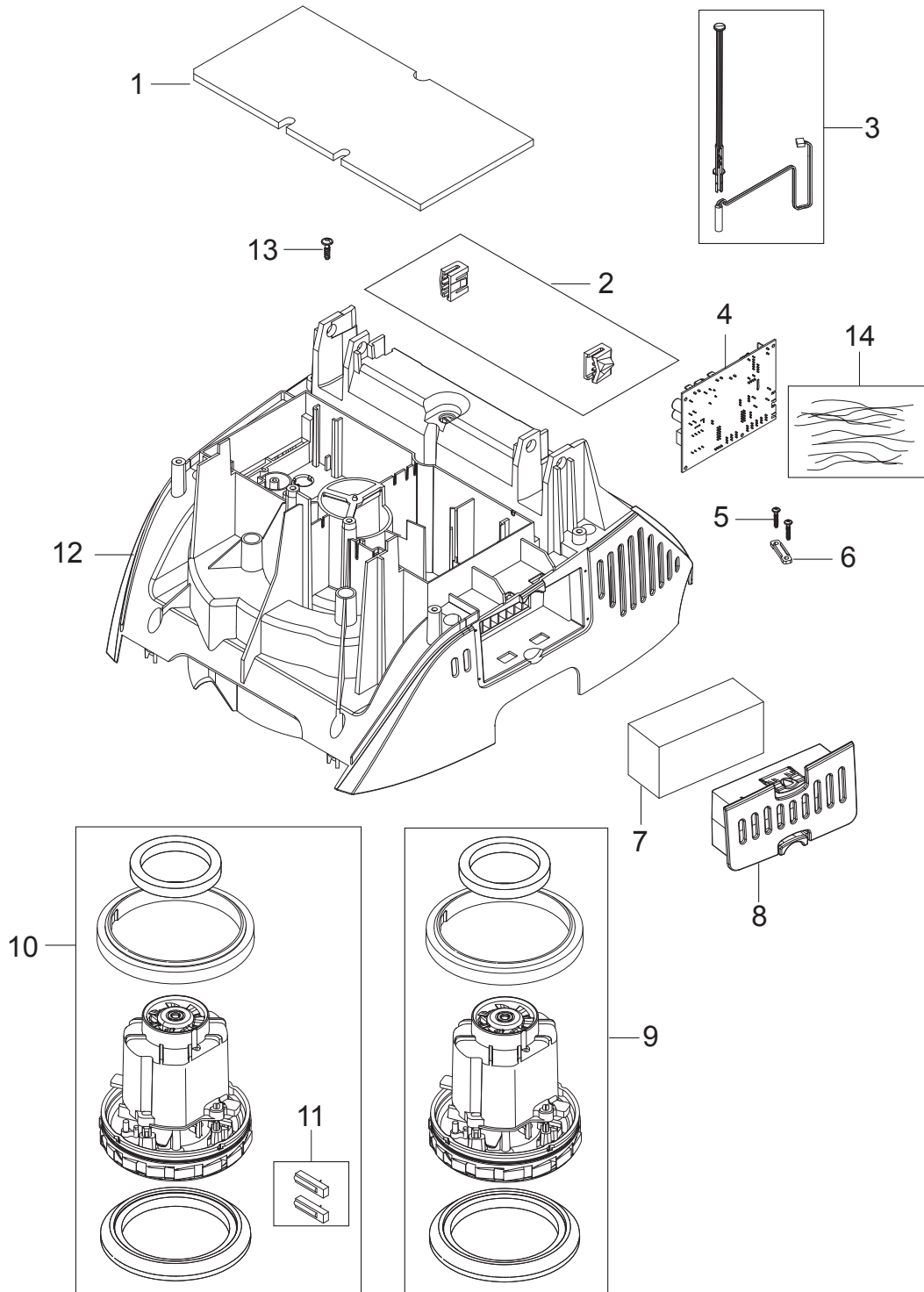
| Pos. | Artikelnummer | Hoeveelheid | Omschrijving | Notes |
|------|---------------|-------------|--------------------------------------|-------|
| 0 | 107417576 | 1 | BOX ATTIX 44L NEUTRAL KIT 10 PCS | |
| 0 | 107417577 | 1 | BOX ATTIX 33L NEUTRAL KIT 10 PCS | |
| 0 | 107417578 | 1 | BOX ATTIX 44L COLOUR KIT 10 PCS | |
| 0 | 107417579 | 1 | BOX ATTIX 33L COLOUR KIT 10 PCS | |
| 1 | 909100204 | 1 | Draaiknop | |
| 2 | 9868 | 1 | O-Ring 10X2,5 | |
| 3 | 32526 | 1 | Moer | |
| 4 | 107413448 | 1 | Draai schakelaar 2 stand. 16A KIT | |
| 5 | 107415046 | 1 | CONTROL PANEL KIT -01 BLUE | |
| 6 | 107415085 | 1 | ROTARY SWITCH 5 POS 16A | |
| 7 | 107415024 | 2 | POTENTIOMETER W. WIRE | |
| 8 | 107415080 | 1 | CAP FOR POT-METER | |
| 9 | 3004221 | 1 | O-Ring 16x2 | |
| 10 | 107415062 | 1 | TURNING KNOB D28 BLACK | |
| 11 | 302004034 | 1 | Socket 16A/250V EU | |
| 11 | 302004036 | 1 | SOCKET 16A/250V FR | |
| 11 | 107400057 | 1 | SOCKET 16A/110V GB | |
| 11 | 302004336 | 1 | Socket 13A/250V GB | |
| 11 | 302001185 | 1 | SOCKET 10A/250V AU | |
| 11 | 302004338 | 1 | SOCKET 15A/125V US/CSA | |
| 11 | 107400059 | 1 | SOCKET 10A/250V CH | |
| 11 | 107400060 | 1 | SOCKET 16A/250V DK | |
| 11a | 107418773 | 1 | SOCKET LABEL 1750 W -SP- | |
| 11a | 107418774 | 1 | SOCKET LABEL 2400 W -SP- | |
| 12 | 107415044 | 1 | CONTROL PANEL KIT -21/-2L IC BLUE | |
| 13 | 107415038 | 1 | HANDLE KIT BLACK | |
| 14 | 128500203 | 3 | SCREW K50X45 WN1451 SP | |
| 15 | 107415036 | 1 | TOP COVER BLACK | |
| 16 | 302004029 | 17 | Schroef 5X18 | |
| 17 | 107415086 | 1 | HATCH DOOR UPPER COVER, IC BLACK | |
| 18 | 107415035 | 1 | CORD STRAP KIT | |
| 19 | 107418122 | 1 | HATCH DOOR CLAMP 2X SPRING KIT BLACK | [1] |
| 19 | 107415032 | 1 | HATCH DOOR CLAMP KIT BLACK | [2] |
| 20 | 107415028 | 1 | HATCHBACK LOWER COVER BLUE | |
| 21 | 107415083 | 2 | Slang/Kabelhaak Zwart 1 stuk | |
| 22 | 107415077 | 1 | LABEL KIT FOR CONTROL PANEL 8 PCS. | |
| 23 | 56315255 | 1 | Zender druk | [3] |

Part Notes:

- [1] - GUARANTEE DATE EXPIRED
For machines produced before November 18th 2016. Serial number 3510164605816
- [2] - For machines produced from November 18th 2016. Serial number 3510164605816
- [3] - AUS/NZ



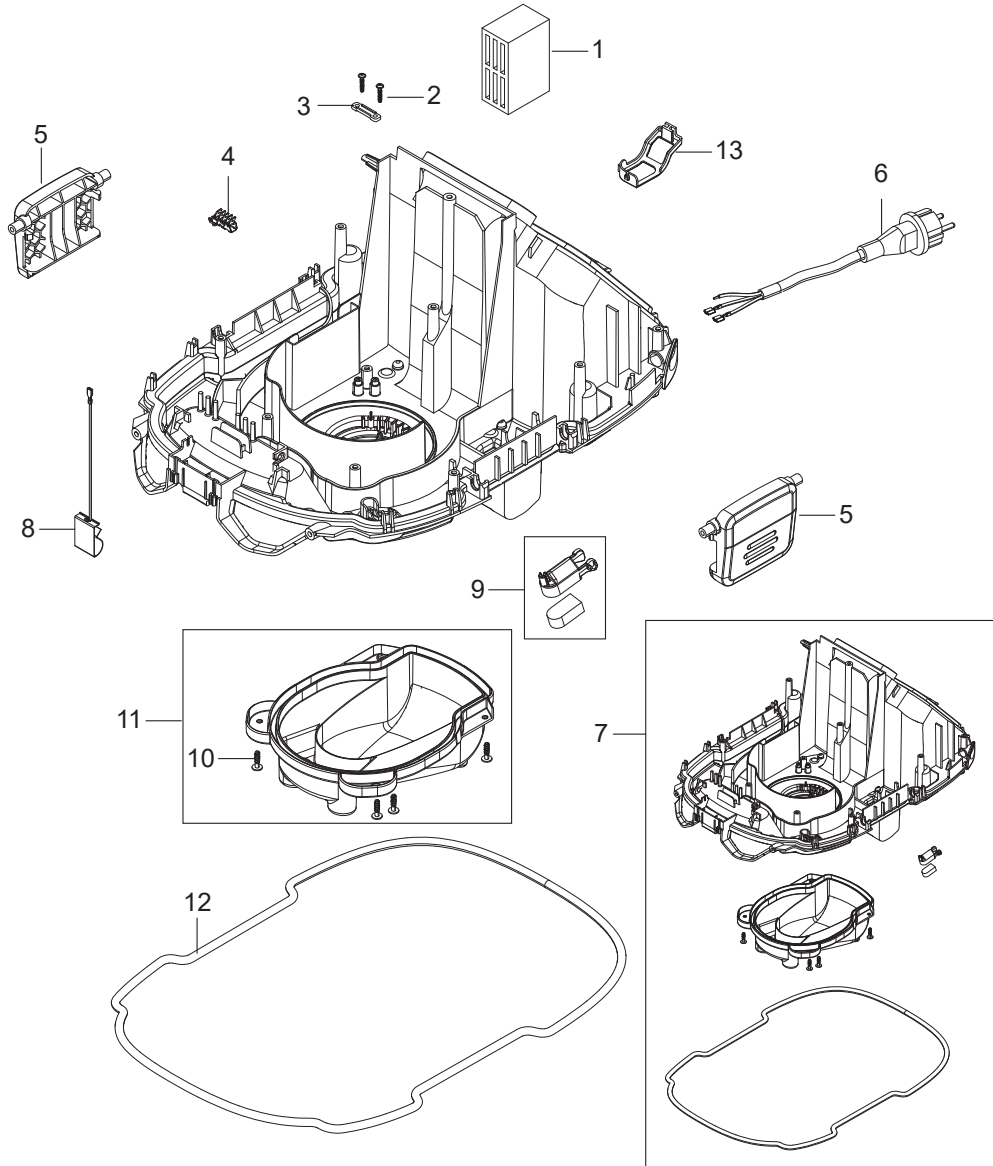
| Pos. | Artikelnummer | Hoeveelheid | Omschrijving | Notes |
|------|---------------|-------------|--|-------|
| 1 | 107415027 | 1 | HATCH DOOR FRAME WITH SEALING IC | |
| 1 | 107417859 | 1 | HATCH DOOR FRAME W. SEALING 100-120V IC | |
| 2 | 302004029 | 15 | Schroef 5X18 | |
| 3 | 107415031 | 1 | SOLENOID KIT 220-240V | |
| 3 | 107415079 | 1 | SOLENOID KIT 100-120V | |
| 4 | 302004032 | 2 | Schroef | |
| 5 | 5697 | 1 | STRIP 3 X 8 X 33 | |
| 6 | 107415090 | 1 | HATCH DOOR FILTER GASKET KIT | |
| 7 | 107413540 | 1 | FLAT FILTER PTFE M-CLASS 1 PCS | |
| 8 | 107420390 | 1 | WASHER FOR SOLENOID VALVE | |
| 9 | 107420406 | 1 | HATCH DOOR FRAME W. SEALING W/O SOLENOID | |



| Pos. | Artikelnummer | Hoeveelheid | Omschrijving | Notes |
|------|---------------|-------------|---------------------------------------|-------|
| 1 | 107417101 | 1 | FOAM SEALING 298X148 | |
| 2 | 107415075 | 1 | HATCH DOOR HINGE SNAP 2 PCS. | |
| 3 | 107415060 | 1 | REED SENSOR WITH APPLICATOR | |
| 4 | 107415058 | 1 | PCBA AFC 1M1S P2 220-240V | [1] |
| 4 | 107415649 | 1 | PCBA AFC 1M1S P2 110-120V | [2] |
| 4 | 107415094 | 1 | PCBA AUTO ON/OFF AFC 1M1S P2 220-240V | [3] |
| 4 | 107415095 | 1 | PCBA AUTO ON/OFF AFC 1M1S P2 110-120V | [4] |
| 5 | 302004032 | 2 | Schroef | |
| 6 | 302004030 | 1 | Strap Voor Kabel | |
| 7 | 107415096 | 1 | DIFFUSOR 55X115X45 BLACK | |
| 8 | 107415097 | 1 | COVER F. MOTORCOOLING FILTER BLUE | |
| 9 | 107415055 | 1 | MOTOR KIT 1200W 220-240V 50/60HZ | [5] |
| 10 | 107415099 | 1 | MOTOR KIT 1000W 110-120V 50/60HZ | [6] |
| 11 | 107417399 | 1 | CARBON BRUSH ASSY KIT 2 PCS 110-120V | [6] |
| 12 | 107415048 | 1 | AIRGUIDE BLUE | |
| 13 | 302004029 | 9 | Schroef 5X18 | |
| 14 | 107417863 | 1 | WIRE/CAPACITOR KIT6 | |

Part Notes:

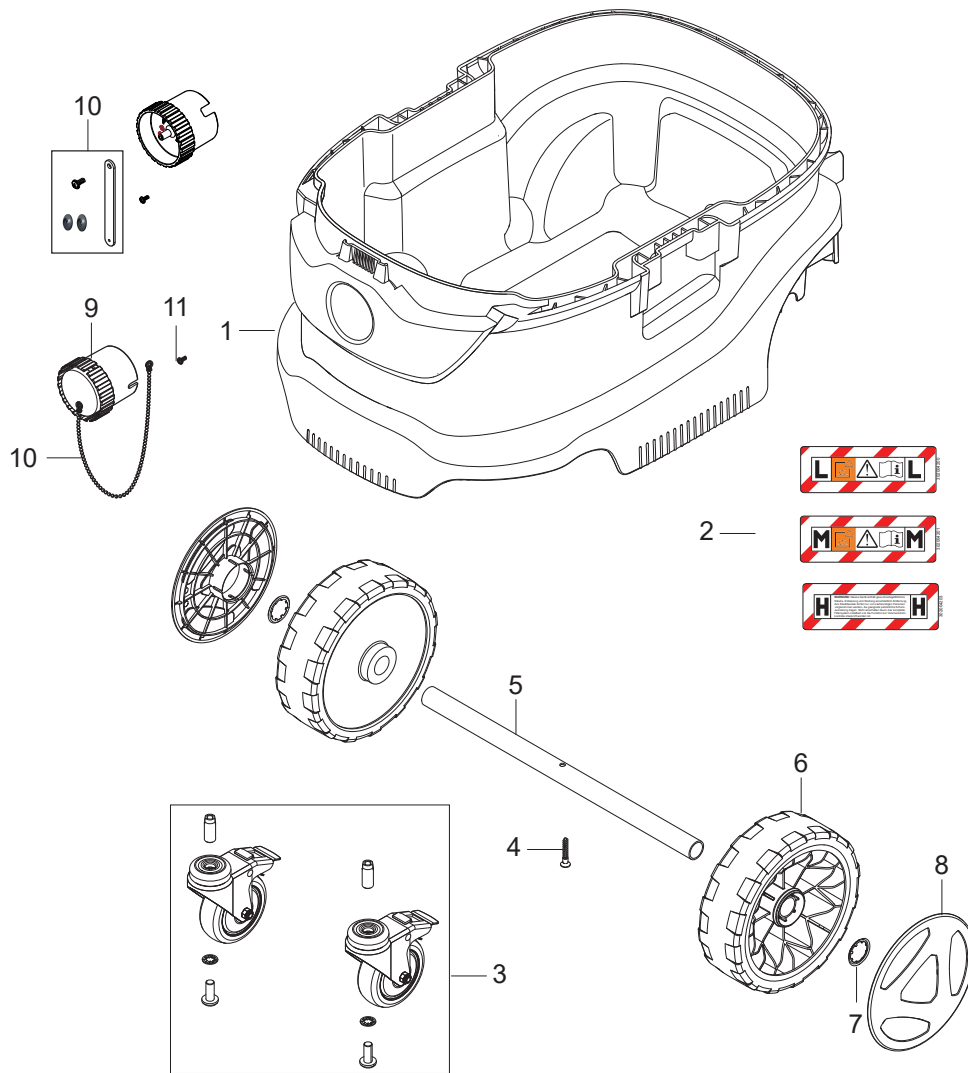
- [1] - 01 IC 220-240V 50/60HZ
- [2] - 01 IC 110-120V 50-60Hz
- [3] - 21 IC/2L IC 220-240V 50-60Hz
- [4] - 21 IC/2L IC 110-120V 50-60Hz
- [5] - 220-240V 50/60HZ
- [6] - 110-120V 50/60HZ



| Pos. | Artikelnummer | Hoeveelheid | Omschrijving | Notes |
|------|---------------|-------------|---|-------|
| 1 | 107417112 | 1 | SOUND ABSORBER 83X55X35 | |
| 2 | 302004032 | 2 | Schroef | |
| 3 | 302004030 | 1 | Strap Voor Kabel | |
| 4 | 302004031 | 1 | DISTRIBUTION STRIP 6-POL 16A | |
| 5 | 107415053 | 2 | CONTAINER CLAMP BLACK | |
| 6 | 107400573 | 1 | Snoer h07RN-F 3G1.5 CEE EU | [1] |
| 6 | 302001416 | 1 | POWER CORD H07RN-F 3G1.5X8.2 | [2] |
| 6 | 302000692 | 1 | POWER CORD H07BQ-F3G1.5X8.2 CE | [3] |
| 6 | 302004333 | 1 | POWER CORD H05RR-F 3G1.5X8.4 AS3112 -AU | [4] |
| 6 | 302004332 | 1 | POWER CORD SJTW-A AWG14/3X8.4 US | [5] |
| 6 | 107420520 | 1 | POWER CORD H05RR-F 3G1,0MM IP55 CH | [6] |
| 6 | 107402642 | 1 | Snoer 3x1.5 zwart met aarde-pen België | [7] |
| 7 | 107415074 | 1 | BASE PLATE ASSEMBLY KIT | |
| 8 | 107417113 | 1 | CONTACT SPRING W. WIRE | |
| 9 | 107415063 | 1 | FLOATER WITH MAGNET | |
| 10 | 1814614 | 4 | Schroef K50X18 T20 WN1451 - A2 | |
| 11 | 107415061 | 1 | AIR FLOW COVER KIT BLACK | |
| 12 | 107415050 | 1 | CONTAINER SEALING | |

Part Notes:

- [1] - 220-240V 50/60HZ EU
- [2] - GB 230V
- [3] - 110-120V 50/60HZ GB
- [4] - 220-240V 50/60HZ AU/NZ
- [5] - 120V 50/60HZ US
- [6] - 220-240V 50/60HZ CH
- [7] - 220-240V 50/60HZ DK, grounding



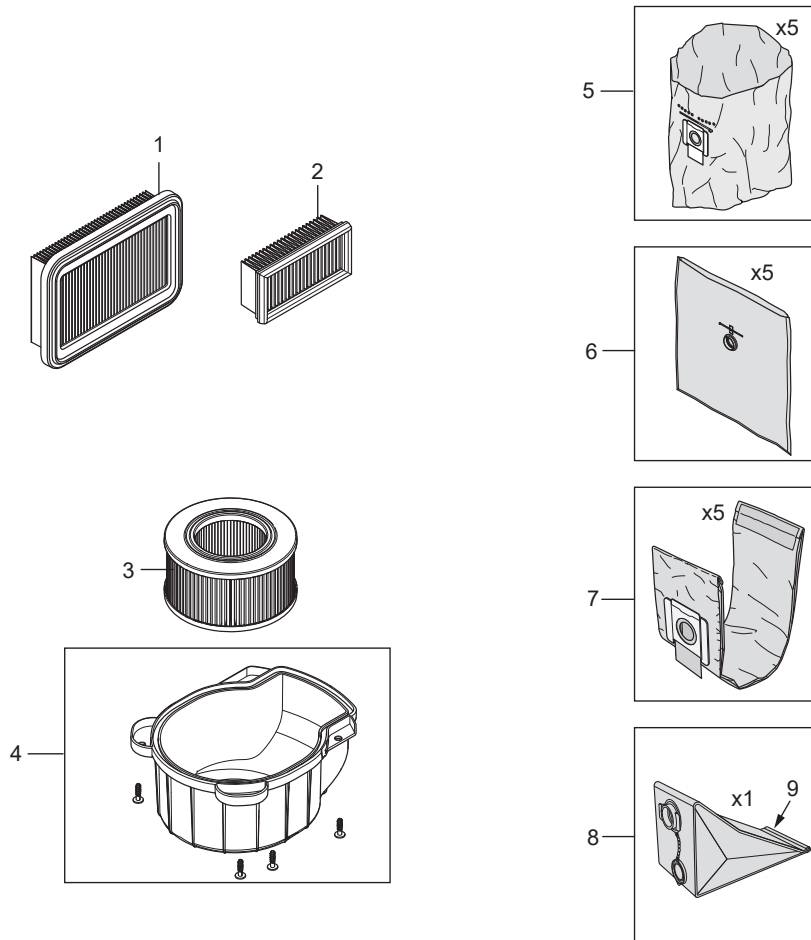
| Pos. | Artikelnummer | Hoeveelheid | Omschrijving | Notes |
|------|---------------|-------------|------------------------------------|-------|
| 1 | 107415067 | 1 | CONTAINER 30L NILFISK BLUE | |
| 1 | 107417118 | 1 | CONTAINER 30L H-CLASS NILFISK BLUE | |
| 2 | 107417119 | 1 | LABEL DUSTCLASS L 130X44 PVC | |
| 2 | 107401291 | 1 | LABEL DUSTCLASS M 130X44 PVC | |
| 2 | 107401548 | 1 | LABEL DUSTCLASS H 130X44 PVC | |
| 3 | 107417120 | 2 | CASTOR WHEEL D75 WITH BRAKE 2 PCS. | |
| 4 | 107417864 | 1 | SCREW WN1423 K50X35 BLACK TORX KIT | |
| 5 | 302004022 | 1 | As voor wielen | |
| 6 | 107417121 | 2 | WHEEL D175 BLACK | |
| 7 | 47302 | 2 | Klemring | |
| 8 | 107417122 | 2 | WHEEL CAP D145 BLUE | |
| 9 | 14775 | 1 | Afsluitdop Multi 50 plastic | [1] |
| 10 | 30081 | 1 | Ketting | [2] |
| 10 | 107419668 | 1 | RUBBER STRAP KIT | [3] |
| 11 | 24738 | 1 | Schroef | |

Part Notes:

- [1] - M and H Class
- [2] - M and H Class

TSB-LI-VACS-2021-001 Attache de bouchon
 DE TSB-LI-VACS-2021-001 Kugelkette durch Gummiband ersetzt

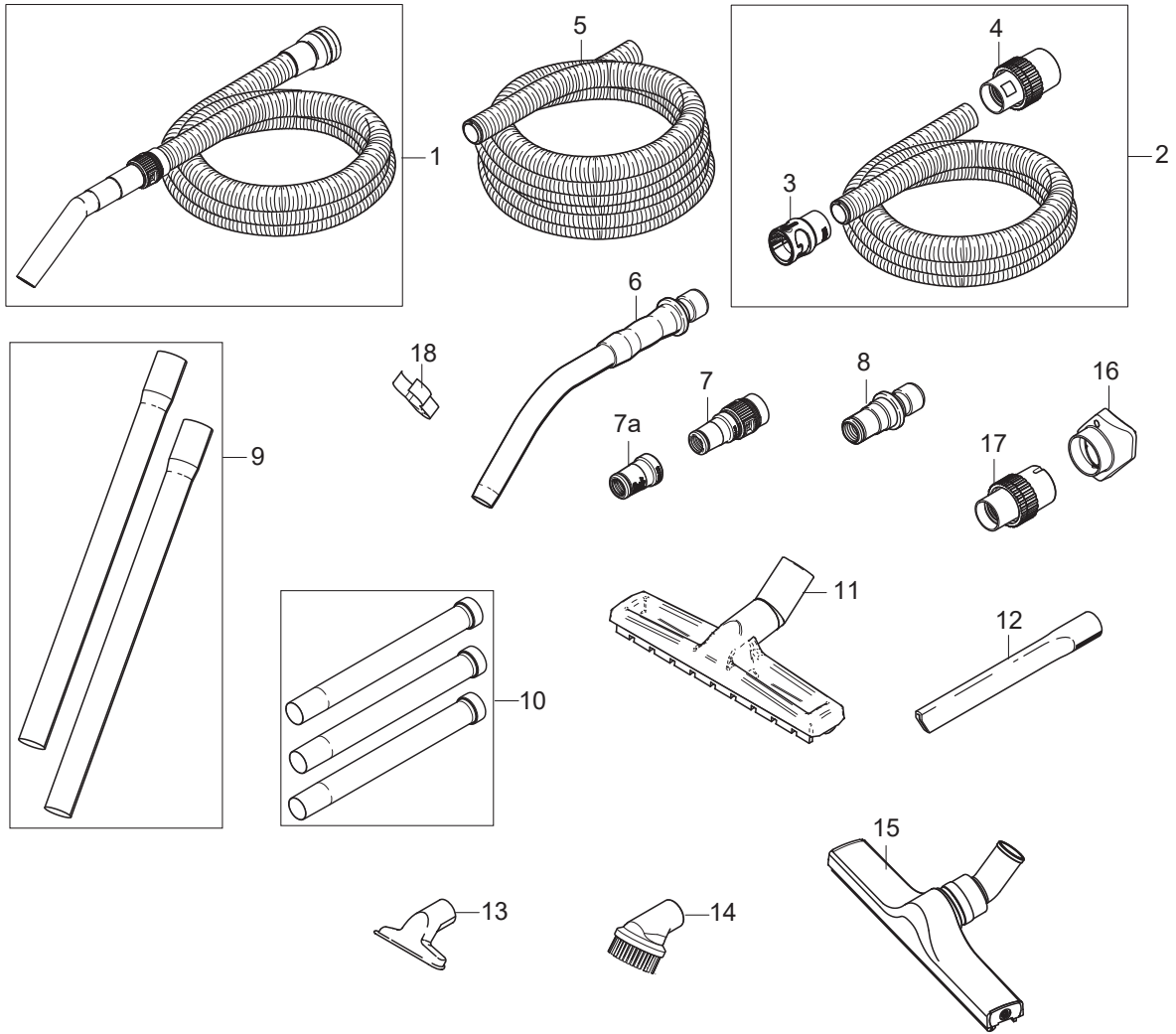
- [3] - TSB-LI-VACS- 2021-001 Ball Chain replaced with Rubber Strap
 DE TSB-LI-VAC-2014-002 Attix 30 Filterbeutel
 TSB-LI-VACS-2021-001 Attache de bouchon



| Pos. | Artikelnummer | Hoeveelheid | Omschrijving | Notes |
|------|---------------|-------------|--|-------|
| 1 | 107413540 | 1 | FLAT FILTER PTFE M-CLASS 1 PCS | |
| 2 | 107413541 | 1 | MOTOR COOLING AIR FILTER PET 1 PCS | |
| 3 | 107413555 | 1 | FILTER ELEMENT Ø140X75 H-CLASS/HEPA | |
| 4 | 107413542 | 1 | HEPA FILTER COVER KIT | [1] |
| 5 | 107417821 | 1 | DISPOSAL BAG ATTIX 33/44 5 PCS | |
| 6 | 107413549 | 1 | SAFETY FILTER BAG 5 PCS ATTIX 33/44 | |
| 7 | 107419593 | 1 | FLEECE FILTER BAG 5 PCS ATTIX 33/44 | |
| 8 | 107413556 | 1 | LONG LIFE FILTER BAG 1 PCS ATTIX 33/44 | |
| 9 | 107419626 | 1 | C-PROFILE FOR LONG LIFE FILTER BAG | |

Part Notes:

[1] - 107416973 HEPA Cover instruction



| Pos. | Artikelnummer | Hoeveelheid | Omschrijving | Notes |
|------|---------------|-------------|---|-------|
| 1 | 107409976 | 1 | Zuigslang 32mm zuigbocht 36 /3.5 mtr | [1] |
| 2 | 107413543 | 1 | HOSE Ø32X4000MM AS RED | |
| 2 | 107413544 | 1 | HOSE Ø36X4000 MM AS RED | |
| 3 | 107417868 | 1 | HOSE SLEEVE Ø38 AS QUICKSYSTEM | |
| 3 | 107417867 | 1 | HOSE SLEEVE Ø36 AS QUICKSYSTEM | |
| 3 | 107417866 | 1 | HOSE SLEEVE Ø32 AS QUICKSYSTEM | |
| 4 | 30928 | 1 | Mof DN32 a.s. | |
| 4 | 15812 | 1 | Mof DN36 a.s. | |
| 5 | 107420514 | 1 | HOSE Ø32X20M AS RED | |
| 5 | 107420515 | 1 | HOSE Ø36X20M AS RED | |
| 6 | 46691 | 1 | Zuigbocht 36mm SQ RVS | |
| 7 | 107409977 | 1 | Slang adaptor met luchtregelaar | [1] |
| 7a | 107403791 | 1 | HOSE SLEEVE D27 AS | |
| 8 | 302000535 | 1 | Adapter +27 | |
| 9 | 302000529 | 1 | Zuigbuiset 36 x 500 mm (2 st.) chrom | |
| 9 | 107408074 | 1 | Zuigbuiset 36 x 500 mm (2 st.) RVS | |
| 10 | 107416995 | 1 | EXTENSION TUBE D36 3X350 MM SS | |
| 11 | 302002331 | 1 | Mondstuk met borstel 36x300 | |
| 12 | 6084 | 1 | Spleetzuigmond 36 mm x 300 mm | |
| 12 | 29541 | 1 | Zuigmond Ø 36 mm x 200 mm | |
| 13 | 14295 | 1 | Univ. Zuigmond kunststof 36 mm x 115 mm | |
| 14 | 302002509 | 1 | Zwarte borstel Ø 36 | |
| 15 | 302003666 | 1 | Mondstuk 36 x 400 mm nat en droog | |
| 16 | 107417865 | 1 | EXHAUST AIR ADAPTER KIT | |
| 17 | 42955 | 1 | HOSE SLEEVE Ø50/50 CONDUCTIVE TYPE 22 | [2] |
| 18 | 48375 | 1 | Hose clip | |

Part Notes:

- [1] - TSB-LI-VACS-2017-01 - AERO+ATTIX hose
 [2] - To be used with Ø50 mm hose

RECOMMENDED SPARE PARTS

ATTIX 33 IC

2017.11.02

2019.03.22

| Pos. | Artikelnummer | Hoeveelheid | Omschrijving | Notes |
|------|---------------|-------------|---|-------|
| 1 | 107413448 | 1 | Draai schakelaar 2 stand. 16A KIT | |
| 2 | 107415085 | 1 | ROTARY SWITCH 5 POS 16A | |
| 3 | 107415076 | 1 | ROTARY SWITCH 3 POS 16A | |
| 4 | 107415024 | 1 | POTENTIOMETER W. WIRE | |
| 5 | 107415080 | 1 | CAP FOR POT-METER | |
| 6 | 302004034 | 1 | Socket 16A/250V EU | |
| 7 | 302004036 | 1 | SOCKET 16A/250V FR | |
| 8 | 107400057 | 1 | SOCKET 16A/110V GB | |
| 9 | 302004336 | 1 | Socket 13A/250V GB | |
| 10 | 302004338 | 1 | SOCKET 15A/125V US/CSA | |
| 11 | 107400059 | 1 | SOCKET 10A/250V CH | |
| 12 | 107400060 | 1 | SOCKET 16A/250V DK | |
| 13 | 107415038 | 1 | HANDLE KIT BLACK | |
| 14 | 107415032 | 1 | HATCH DOOR CLAMP KIT BLACK | |
| 15 | 107415083 | 1 | Slang/Kabelhaak Zwart 1 stuk | |
| 16 | 107415077 | 1 | LABEL KIT FOR CONTROL PANEL 8 PCS. | |
| 17 | 107415027 | 1 | HATCH DOOR FRAME WITH SEALING IC | |
| 18 | 107417859 | 1 | HATCH DOOR FRAME W. SEALING 100-120V IC | |
| 19 | 107415031 | 1 | SOLENOID KIT 220-240V | |
| 20 | 107415079 | 1 | SOLENOID KIT 100-120V | |
| 21 | 107415090 | 1 | HATCH DOOR FILTER GASKET KIT | |
| 22 | 107413540 | 1 | FLAT FILTER PTFE M-CLASS 1 PCS | |
| 23 | 107415075 | 1 | HATCH DOOR HINGE SNAP 2 PCS. | |
| 24 | 107415058 | 1 | PCBA AFC 1M1S P2 220-240V | |
| 26 | 107415649 | 1 | PCBA AFC 1M1S P2 110-120V | |
| 27 | 107415094 | 1 | PCBA AUTO ON/OFF AFC 1M1S P2 220-240V | |
| 28 | 107415095 | 1 | PCBA AUTO ON/OFF AFC 1M1S P2 110-120V | |
| 29 | 107415059 | 1 | PCBA AUTO ON/OFF M 1M1S P3 220-240V | |
| 30 | 107417102 | 1 | PCBA AUTO ON/OFF M 1M1S P3 110-120V | |
| 31 | 107417103 | 1 | PCBA AUTO ON/OFF AFC M 1M1S P3 220-240V | |
| 32 | 107417104 | 1 | PCBA AUTO ON/OFF AFC M 1M1S P3 110-120V | |
| 33 | 107417105 | 1 | PCBA AUTO ON/OFF H 1M1S P3 220-240V | |
| 34 | 107417106 | 1 | PCBA AUTO ON/OFF AFC H 1M1S P3 220-240V | |
| 36 | 107416958 | 1 | BUZZER KIT1 | |
| 37 | 107417111 | 1 | PRESSURE SENSOR FILTER MONITORING KIT | |
| 38 | 107417863 | 1 | WIRE/CAPACITOR KIT6 | |
| 39 | 107415055 | 1 | MOTOR KIT 1200W 220-240V 50/60HZ | |
| 41 | 107415099 | 1 | MOTOR KIT 1000W 110-120V 50/60HZ | |
| 42 | 107417399 | 1 | CARBON BRUSH ASSY KIT 2 PCS 110-120V | [1] |
| 43 | 107415053 | 1 | CONTAINER CLAMP BLACK | |
| 44 | 107400573 | 1 | Snoer h07RN-F 3G1.5 CEE EU | |
| 45 | 302000692 | 1 | POWER CORD H07BQ-F3G1.5X8.2 CE | |
| 46 | 302004333 | 1 | POWER CORD H05RR-F 3G1.5X8.4 AS3112 -AU | |
| 47 | 302004332 | 1 | POWER CORD SJTW-A AWG14/3X8.4 US | |
| 48 | 107420520 | 1 | POWER CORD H05RR-F 3G1.0MM IP55 CH | |
| 49 | 107402642 | 1 | Snoer 3x1.5 zwart met aarde-pen België | |
| 50 | 107417418 | 1 | POWER CORD KIT VCTF 1.25MM 3C JP PSE | |
| 51 | 107415063 | 1 | FLOATER WITH MAGNET | |
| 52 | 107415061 | 1 | AIR FLOW COVER KIT BLACK | |
| 53 | 107413542 | 1 | HEPA FILTER COVER KIT | |
| 54 | 107413555 | 1 | FILTER ELEMENT Ø140X75 H-CLASS/HEPA | |
| 55 | 107415050 | 1 | CONTAINER SEALING | |
| 56 | 107417120 | 1 | CASTOR WHEEL D75 WITH BRAKE 2 PCS. | |
| 57 | 107417573 | 1 | CASTOR WHEEL D100 WITH BRAKE 2 PCS | |
| 58 | 107417121 | 1 | WHEEL D175 BLACK | |

RECOMMENDED SPARE PARTS

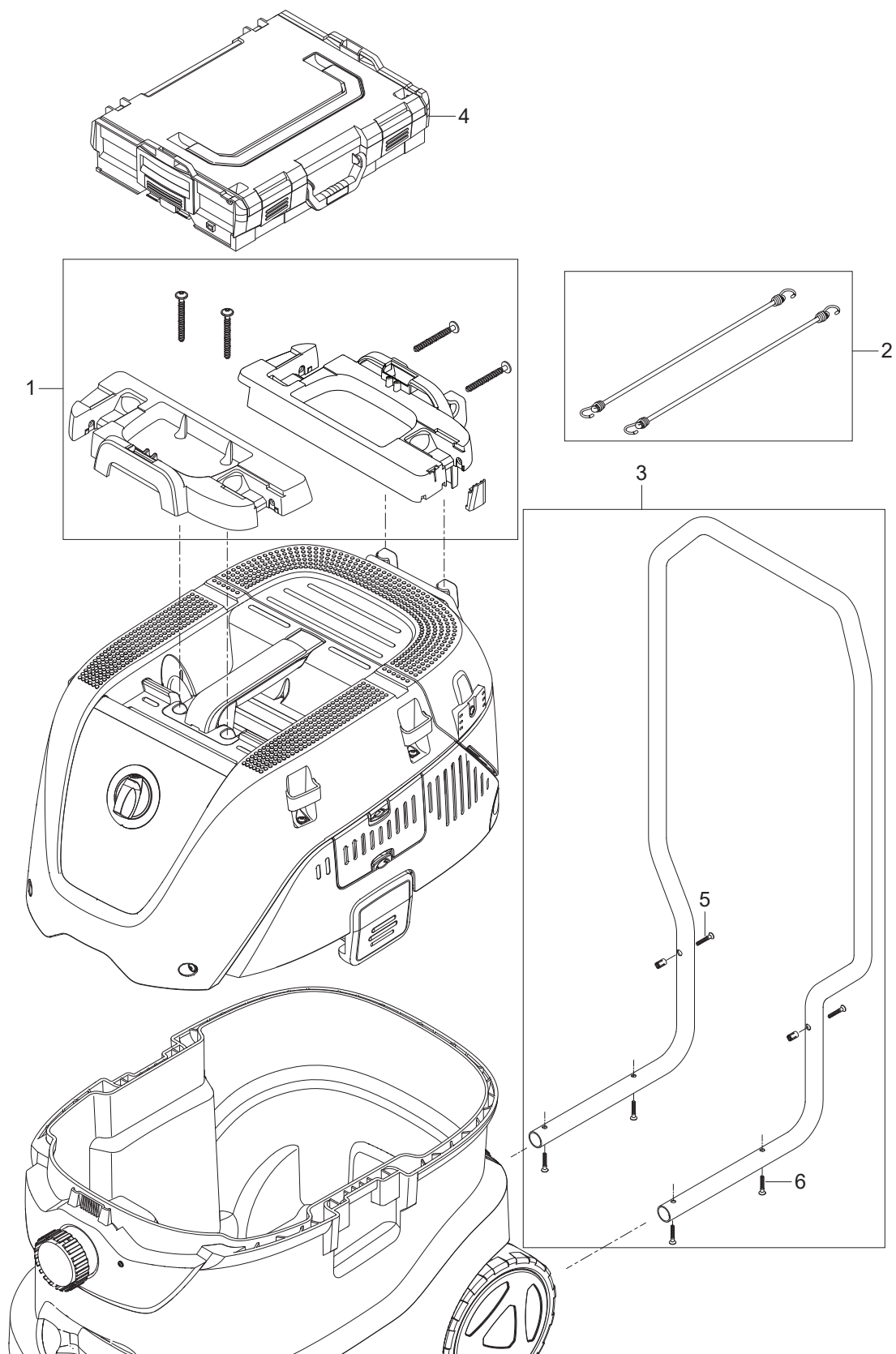
ATTIX 33 IC

2017.11.02

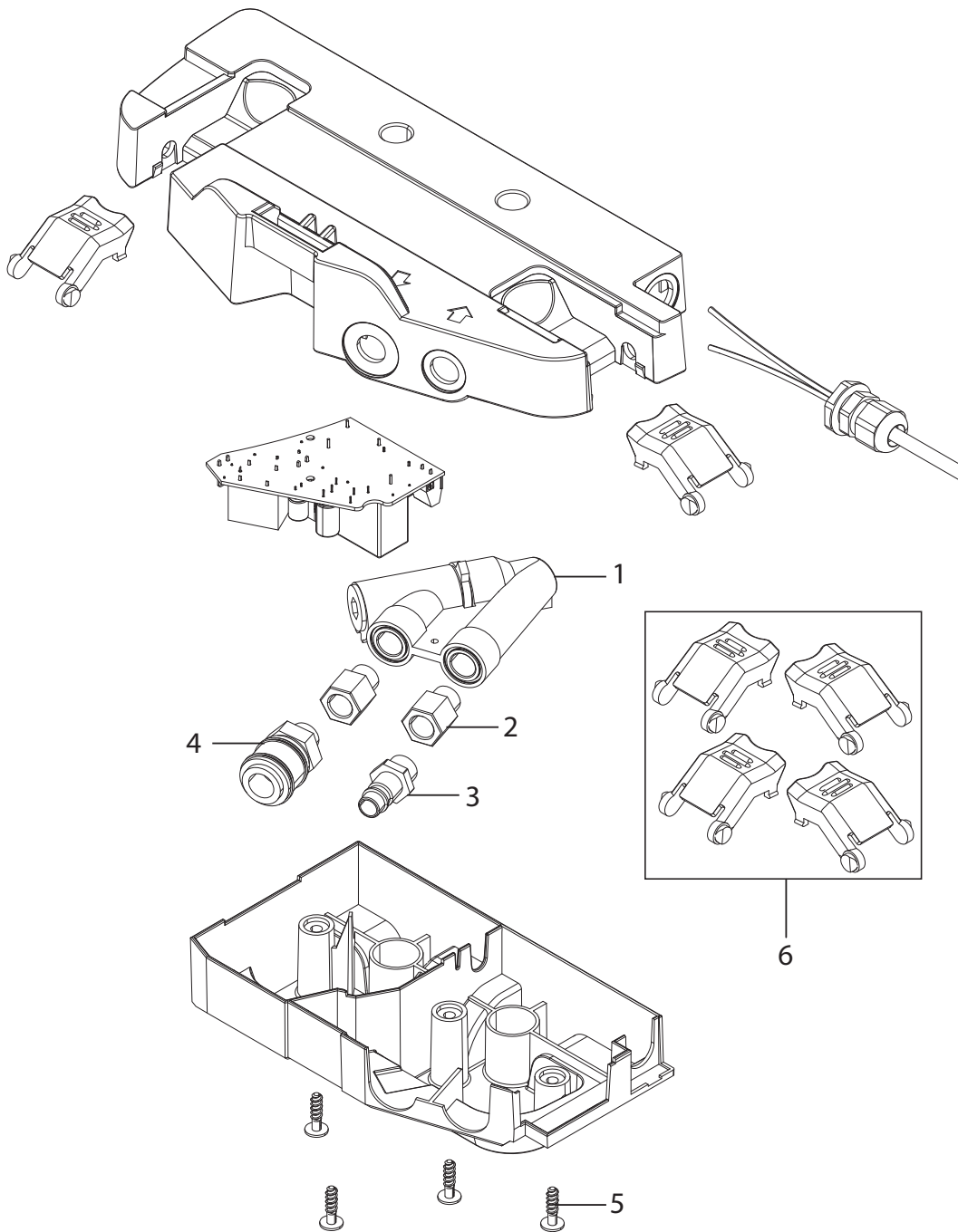
2019.03.22

Part Notes:

[1] - 110-120V 50/60HZ



| Pos. | Artikelnummer | Hoeveelheid | Omschrijving | Notes |
|------|---------------|-------------|---|-------|
| 1 | 107413551 | 1 | ADAPTER PLATE KIT | |
| 2 | 107413553 | 1 | FLEXIBLE STRAP SET 2 PCS | |
| 3 | 107413552 | 1 | TROLLEY HANDLE KIT | |
| 4 | 107413554 | 1 | STORAGE L-BOXX KIT W. DUSTBAGS | |
| 5 | 107420422 | 2 | SCREW ISO 14581 TX STEEL 8.8 M6X30 SPPT | |
| 6 | 107420423 | 4 | SCREW WN1423 K50X35 BLACK TORX SPPT | |



| Pos. | Artikelnummer | Hoeveelheid | Omschrijving | Notes |
|------|---------------|-------------|--------------------------------|-------|
| 0 | 107416370 | 1 | AIRBOX KIT 220-240V 50/60HZ EU | |
| | 107418781 | 1 | AIRBOX KIT 110-120V 50/60HZ US | |
| 1 | 107402622 | 1 | FLOW SENSOR KIT | |
| 2 | 25437 | 2 | Nippel | |
| 3 | 14809 | 1 | Overgang | |
| 4 | 14808 | 1 | Nippel | |
| 5 | 302004029 | 4 | Schroef 5X18 | |
| 6 | 107415054 | 1 | ADAPTER PLATE CLAMP - KIT | |

