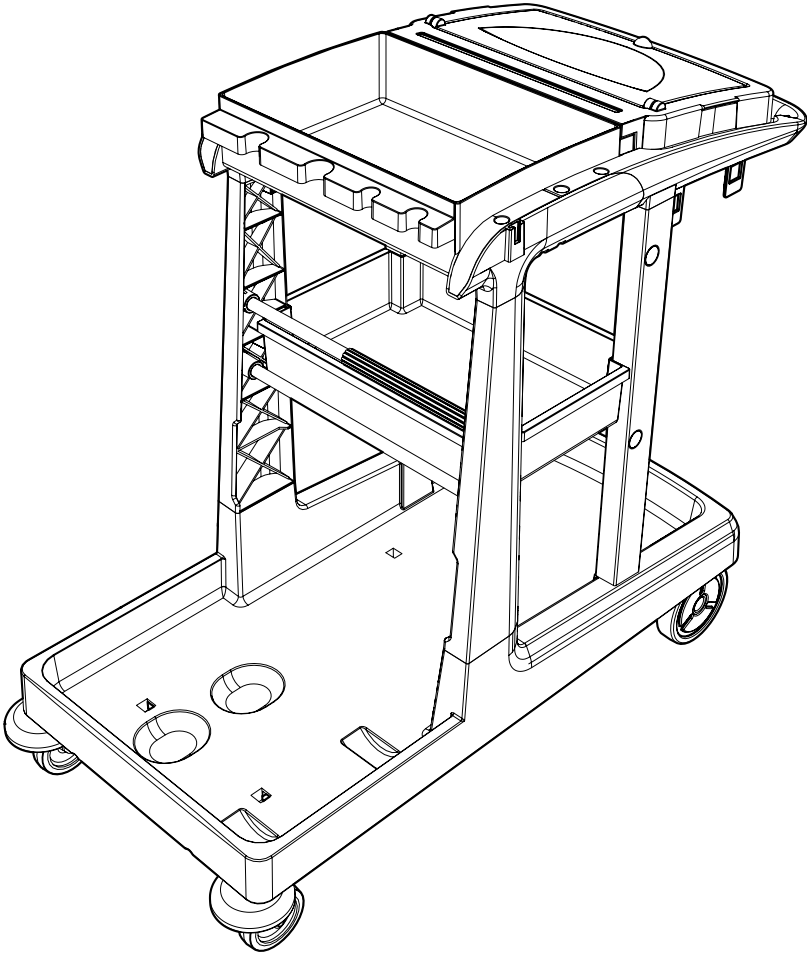
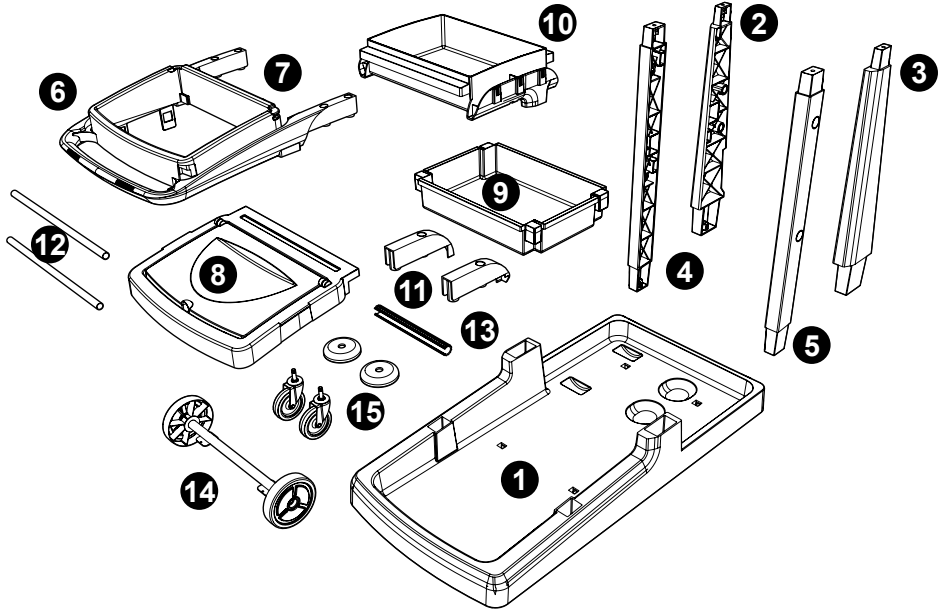


EcoMatic EM-3 Fixed Big Wheel Trolley Assembly



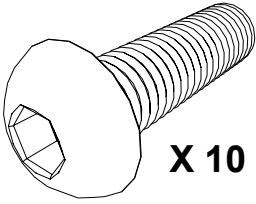


0.25 HR

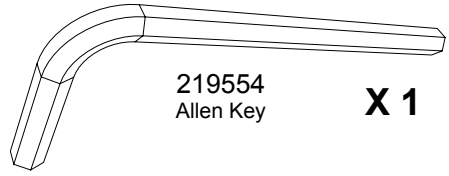


Item	Description	Qty
1	Ecomatic long reflo base	1
2	Rear right hand reflo upright	1
3	Rear left hand reflo upright	1
4	Front right hand reflo upright	1
5	Front left hand reflo upright	1
6	Reflo bag frame	1
7	Reflo bag securing frame	1
8	Lid moulding	1
9	Reflo tray	1
10	Reflo top tray	1
11	Ecomatic cover moulding	2
12	Press support tube	2
13	Mop tube profile	1
14	Rear wheels assembly	1
15	Castors & Buffers	2

219555
M8 25mm Socket Bolt



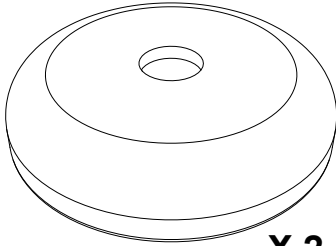
X 10



219554
Allen Key

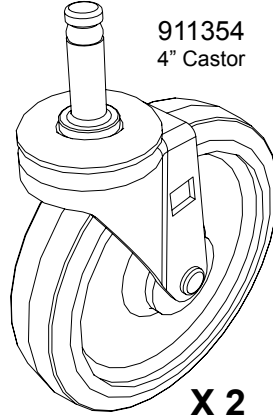
X 1

909367
Buffer Moulding

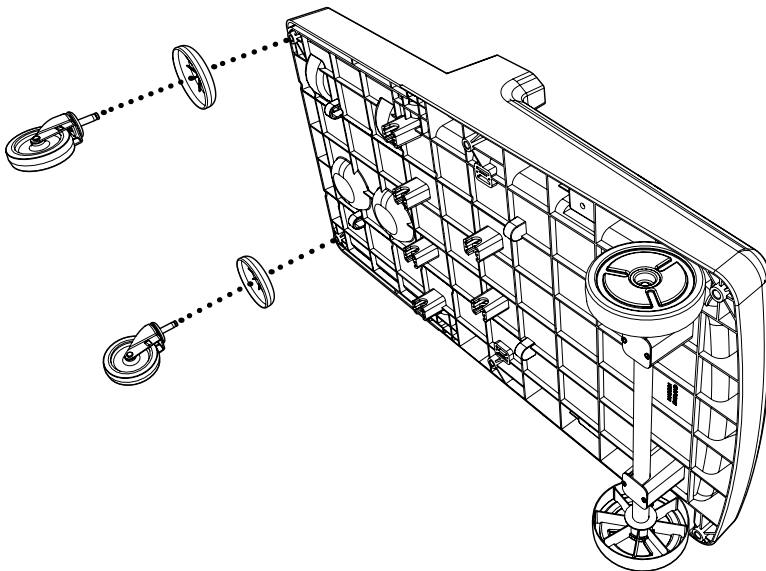


X 2

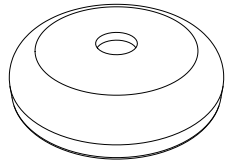
911354
4" Castor



X 2

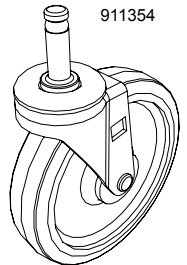


909367

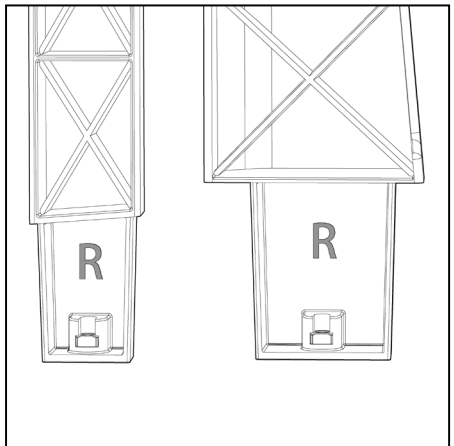
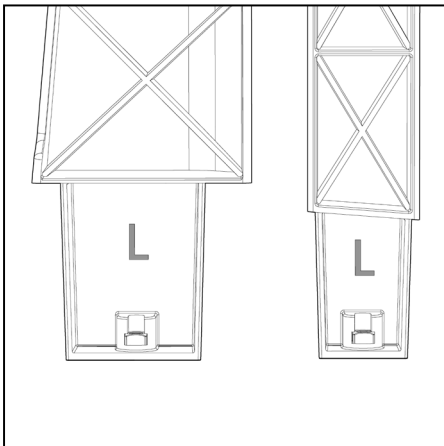
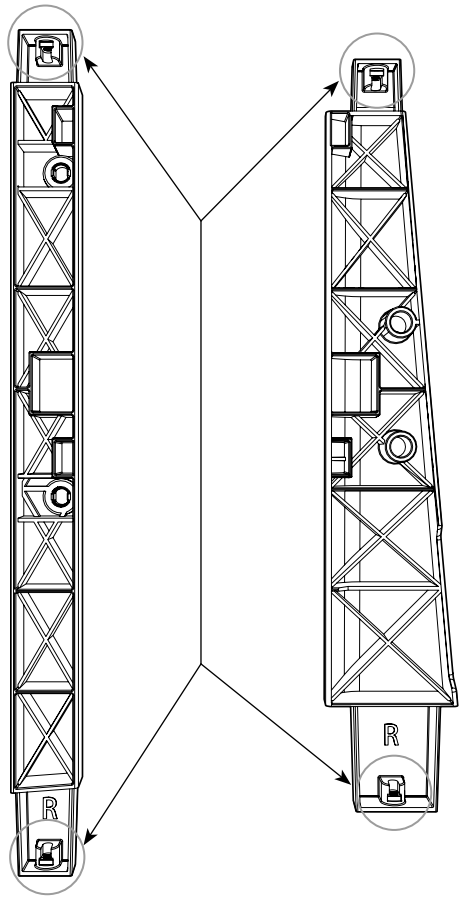
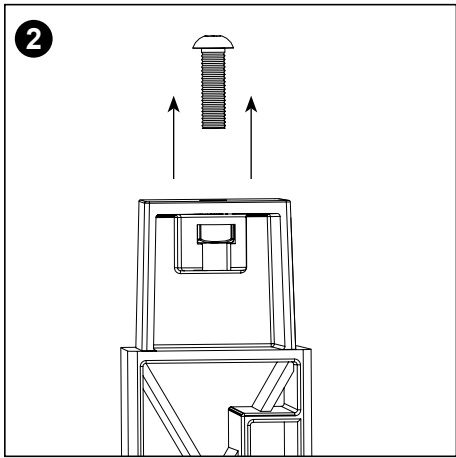
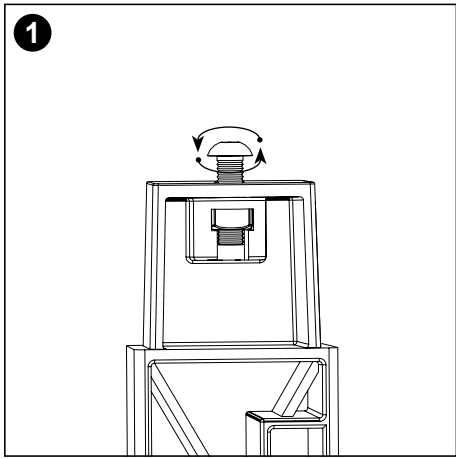


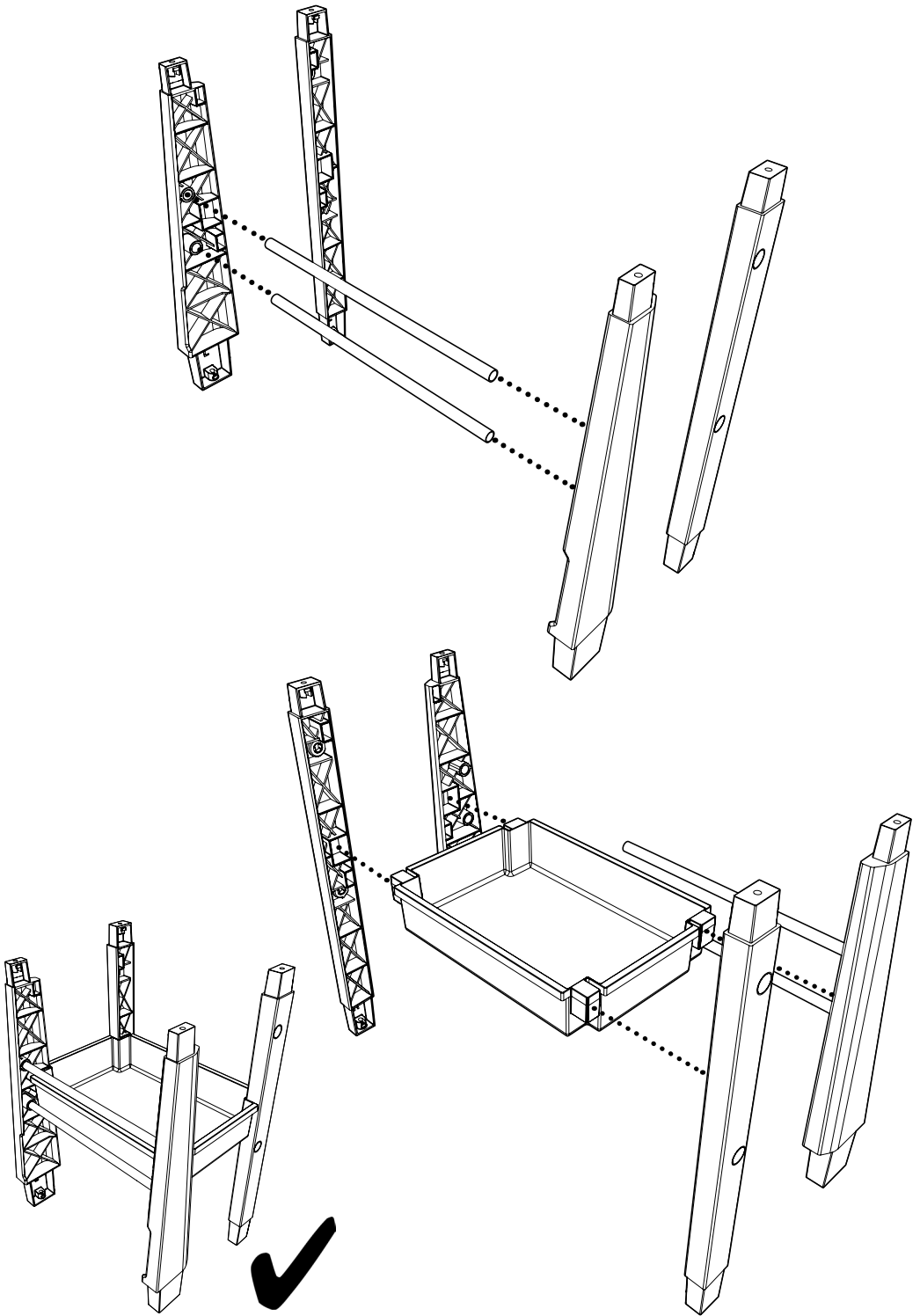
X 2

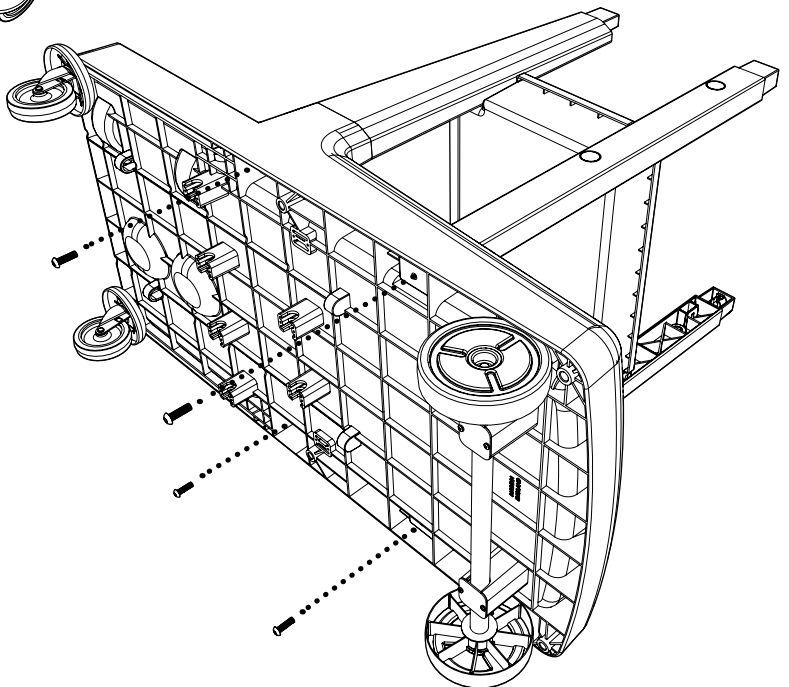
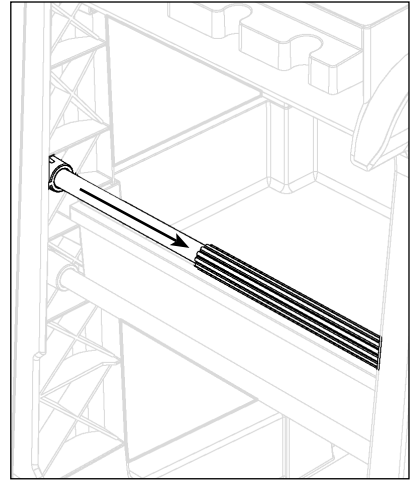
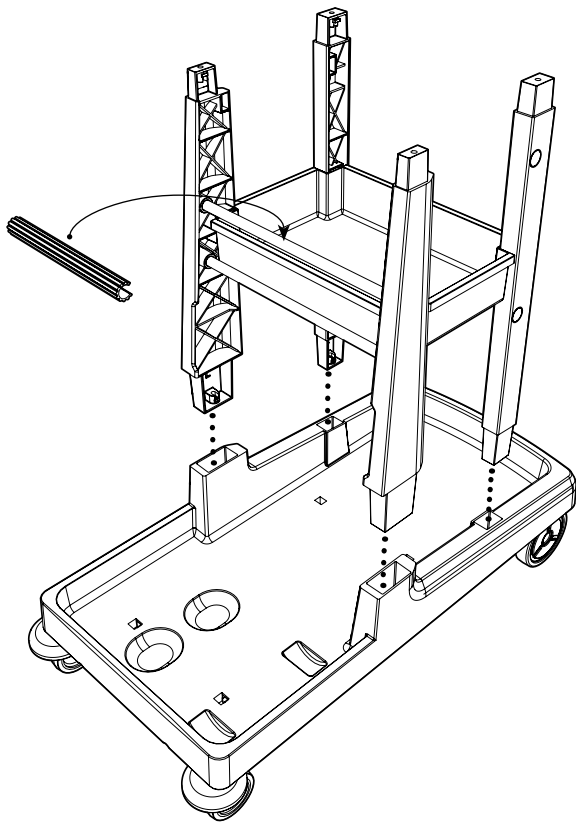
911354

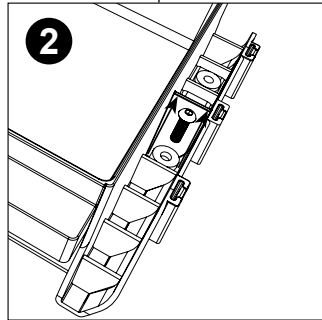
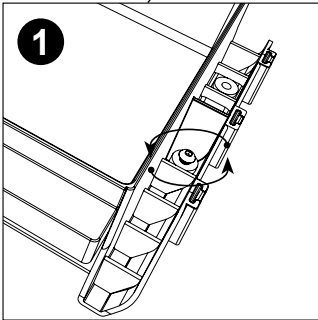
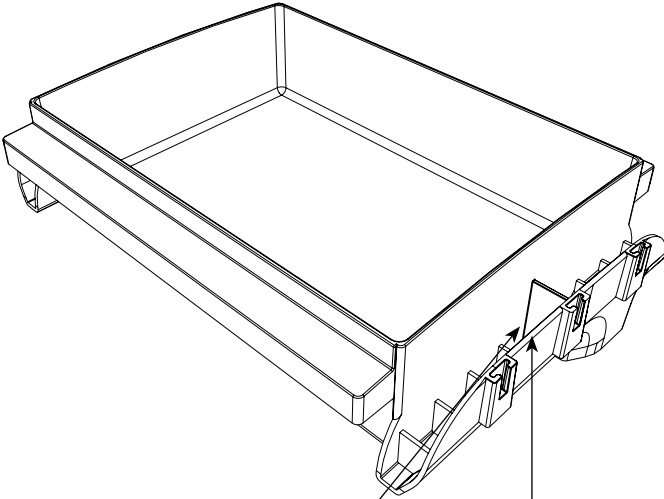


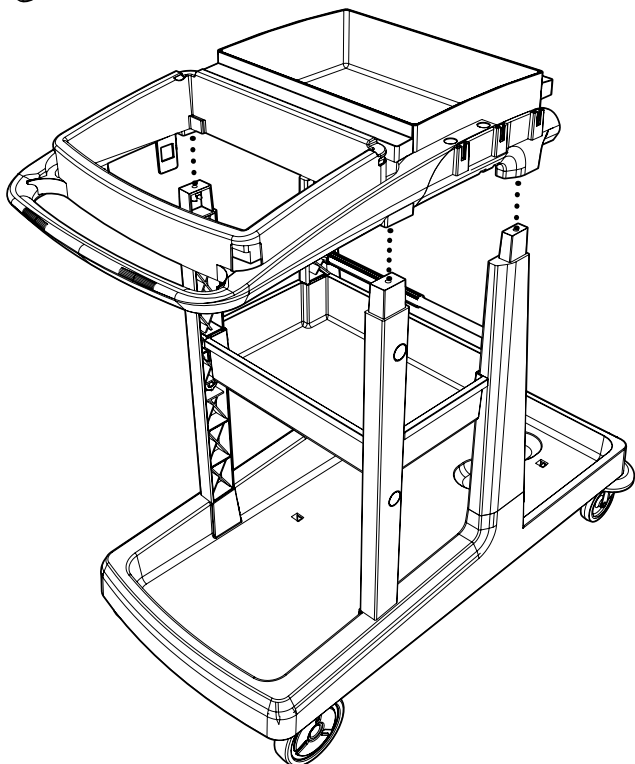
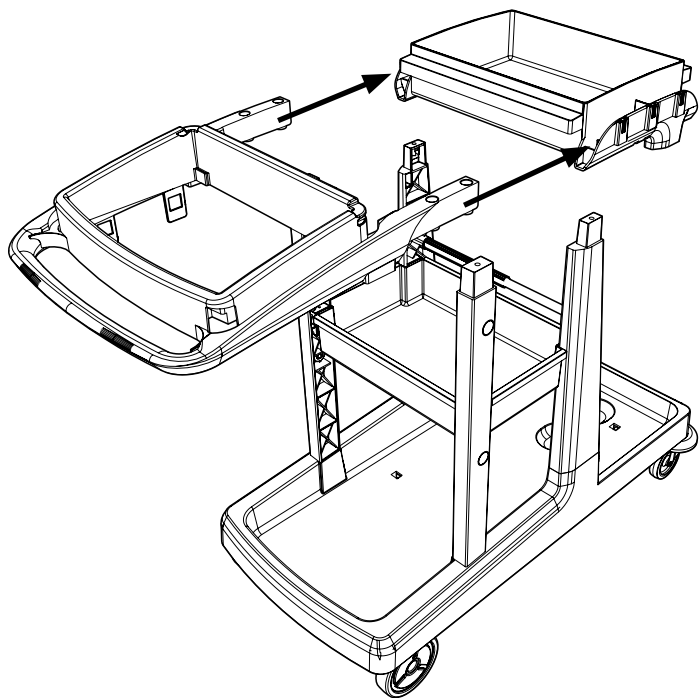
X 2

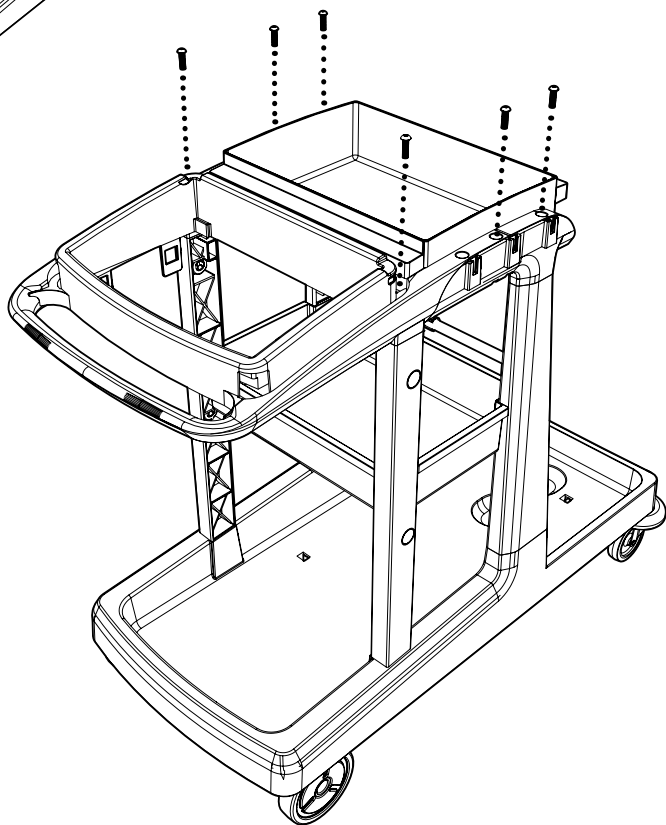
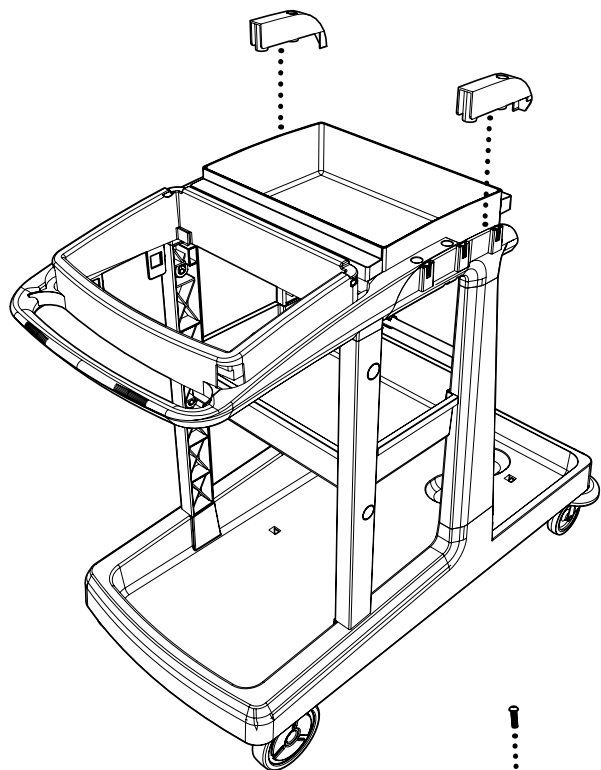


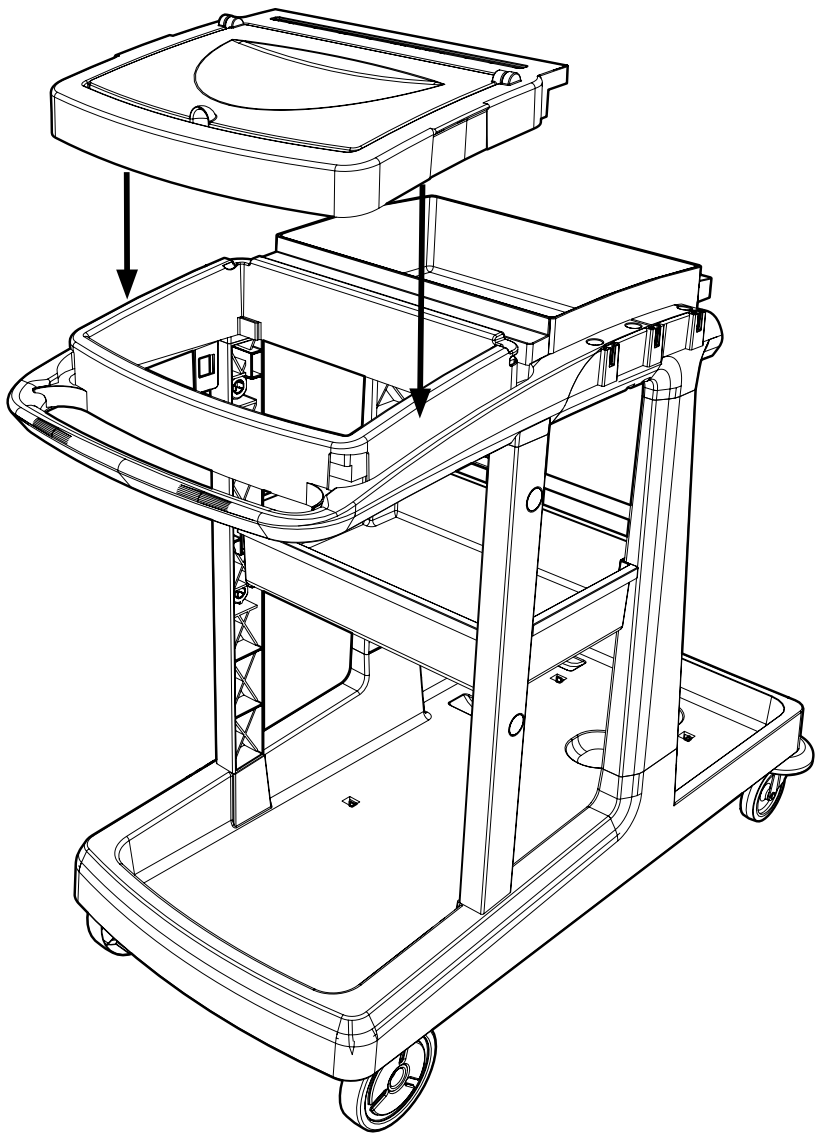












Notes:

Lined writing area with horizontal ruling lines.

EcoMatic EM-3 Trolley Assembly

