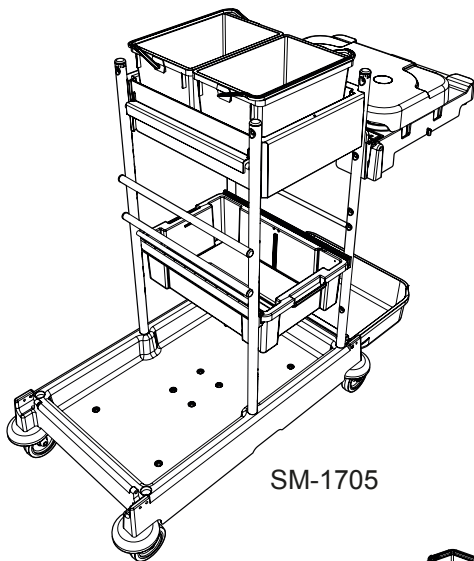
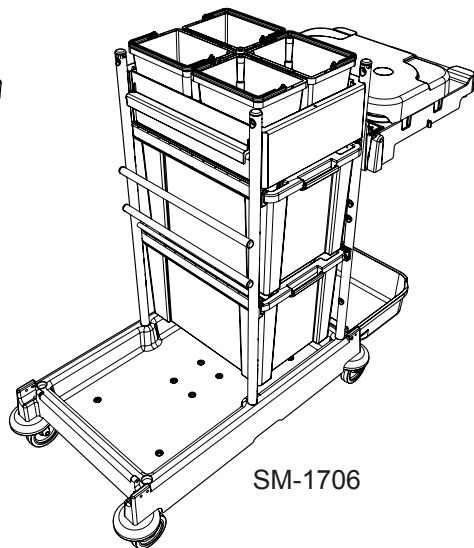


# ServoMatic SM-1705 / 1706 / 1707

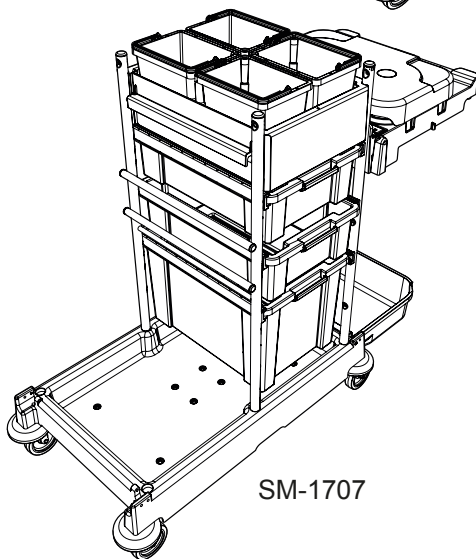
## Trolley Assembly



SM-1705

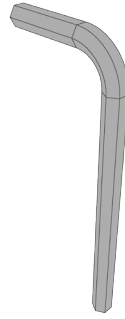
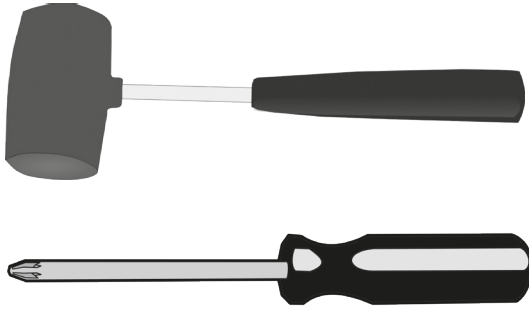


SM-1706



SM-1707



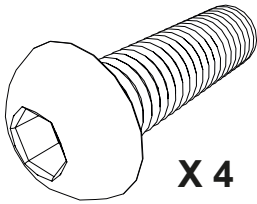


0.45 HR



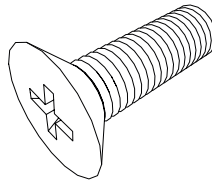
## ServoMatic SM-1705

219555  
M8 25mm Socket Bolt

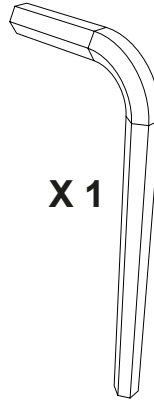


**X 4**

219282  
M5 x 16mm

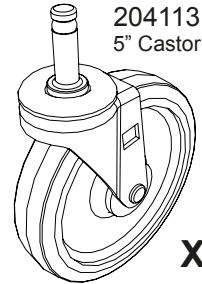


219554  
Allen Key



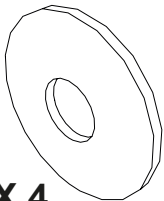
**X 1**

204062  
4" Castor  
204113  
5" Castor



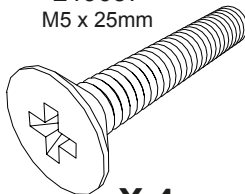
**X 4**

221154  
M8



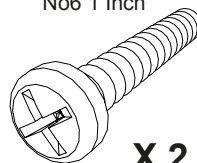
**X 4**

219057  
M5 x 25mm



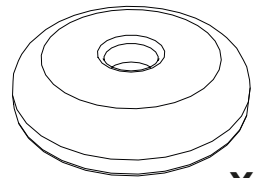
**X 4**

219602  
No6 1 Inch



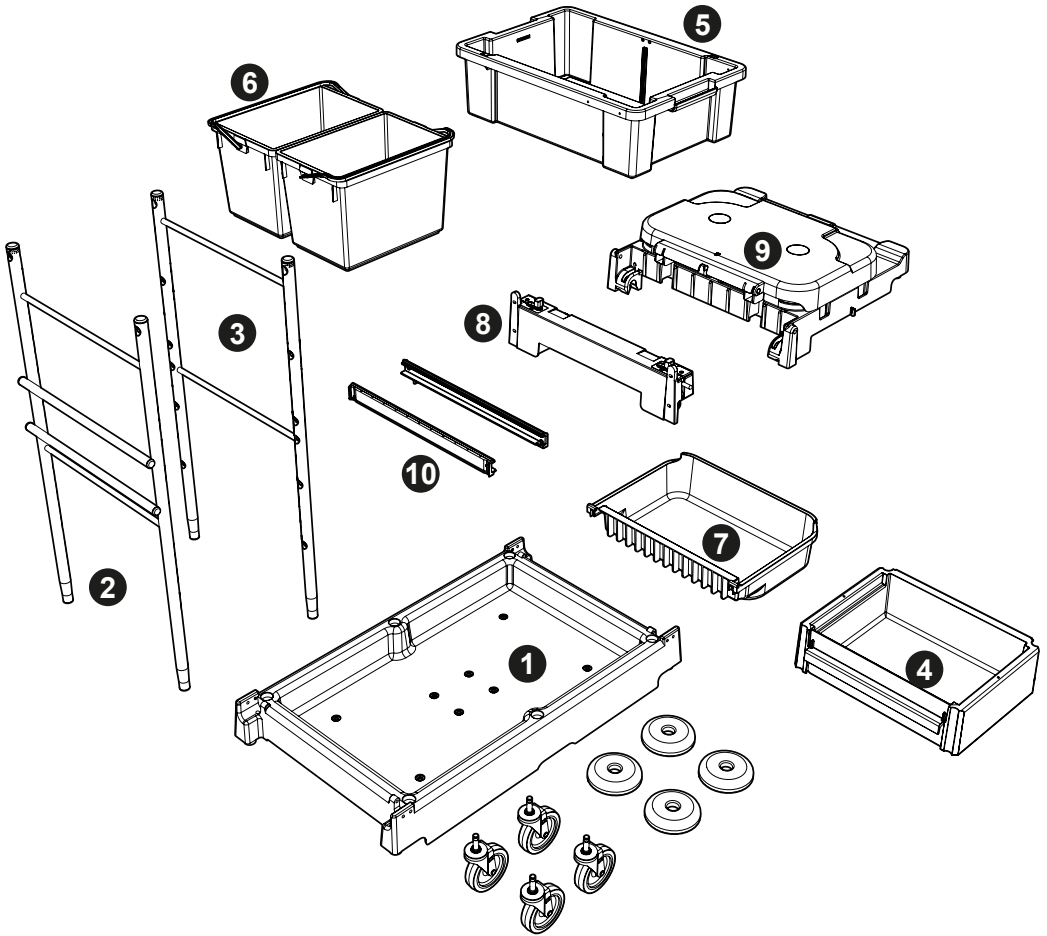
**X 2**

227479  
Buffer



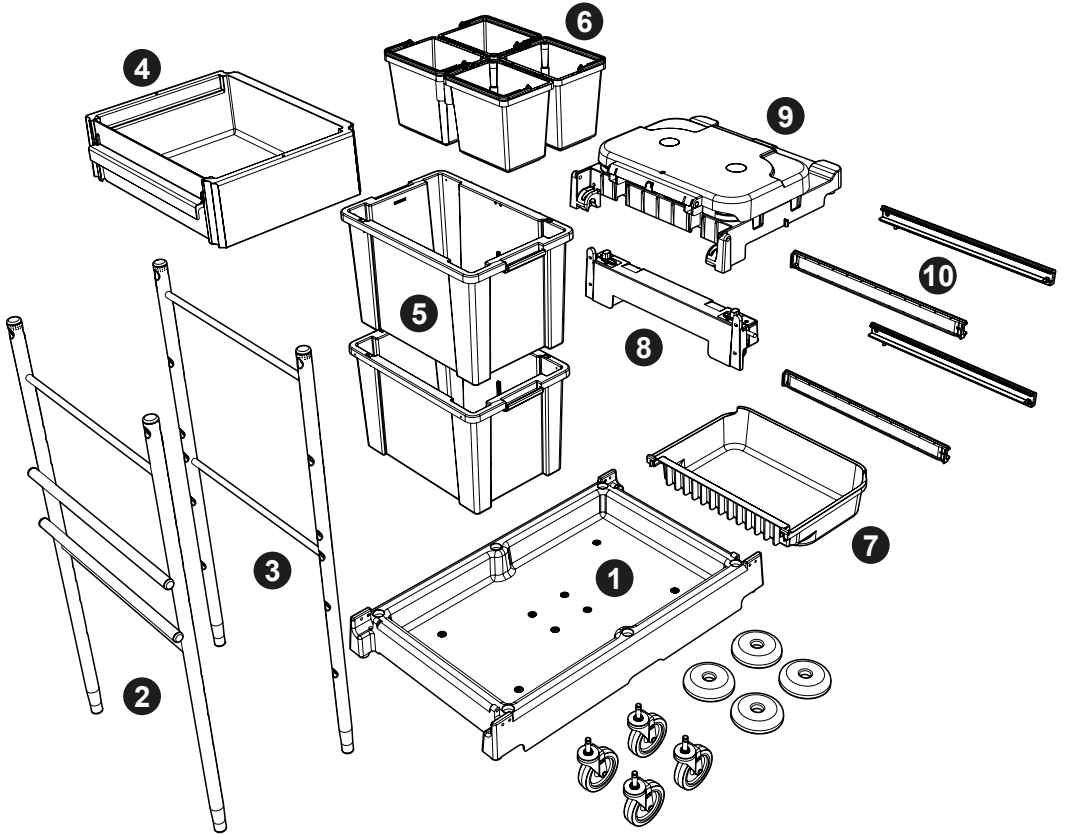
**X 4**

# ServoMatic SM-1705



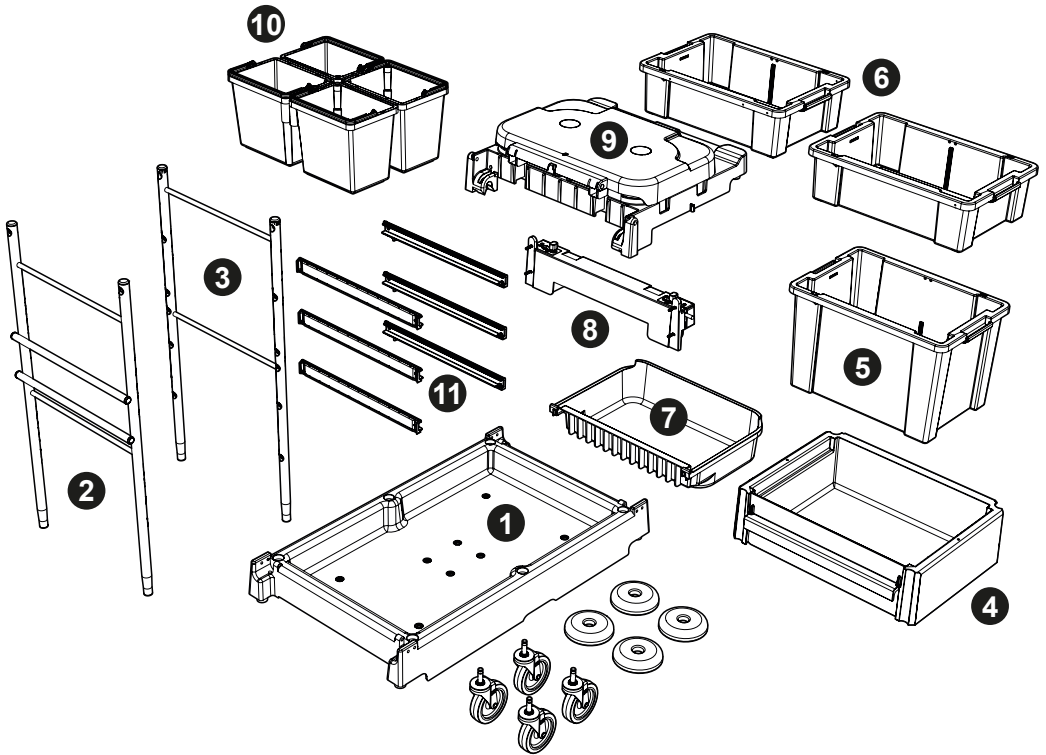
Item	Description	Qty
1	Large reflo trolley base	1
2	Front upright frame	1
3	Rear upright frame	1
4	Clip on reflo plain tray	1
5	Half storage reflo box	1
6	10 Ltr bucket	2
7	120L reflo bag tray	1
8	Bag support frame mount assembly	1
9	Bag frame / lid assembly	1
10	Storage box runner	2

# ServoMatic SM-1706



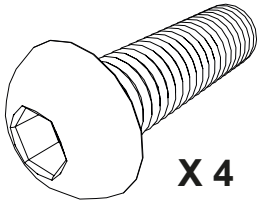
Item	Description	Qty
1	Large reflo trolley base	1
2	Front upright frame	1
3	Rear upright frame	1
4	Clip on reflo plain tray	1
5	Deep storage reflo box	2
6	5 Ltr swing pail	4
7	120L reflo bag tray	1
8	Bag support frame mount assembly	1
9	Bag frame / lid assembly	1
10	Storage box runner	4

# ServoMatic SM-1707

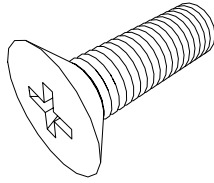


Item	Description	Qty
1	Large reflo trolley base	1
2	Front upright frame	1
3	Rear upright frame	1
4	Clip on reflo plain tray	1
5	Deep storage reflo box	1
6	Half storage reflo box	2
7	120L reflo bag tray	1
8	Bag support frame mount assembly	1
9	Bag frame / lid assembly	1
10	5 ltr swing pail	4
11	Storage box runner	6

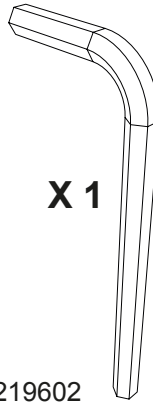
219555  
M8 25mm Socket Bolt



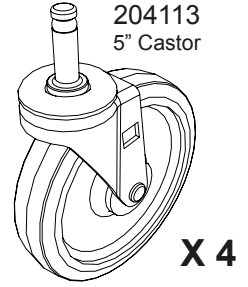
219282  
M5 x 16mm



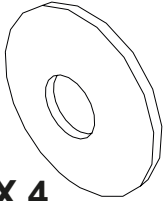
219554  
Allen Key



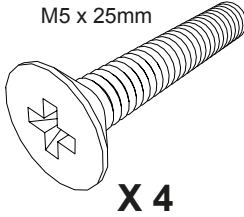
204062  
4" Castor  
204113  
5" Castor



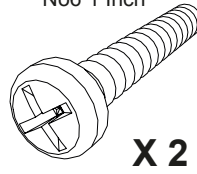
221154  
M8



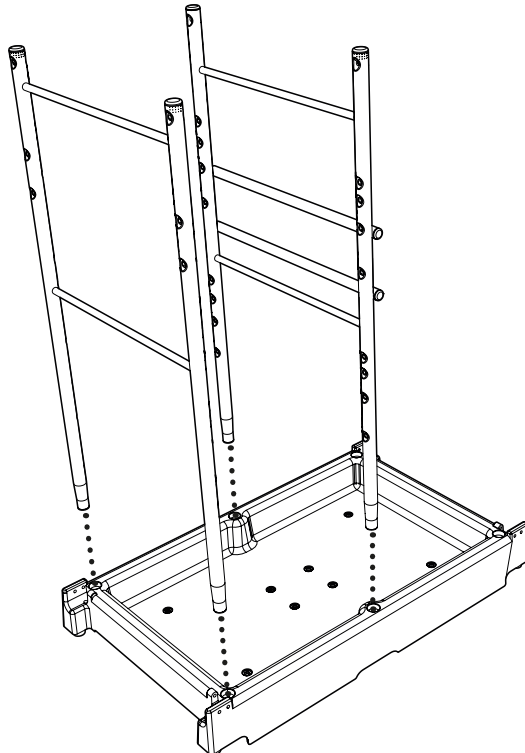
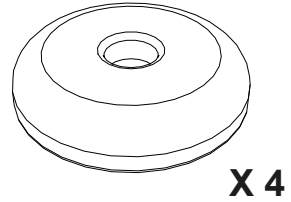
219057  
M5 x 25mm

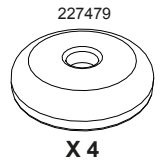
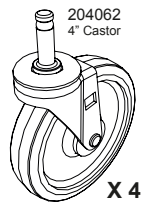
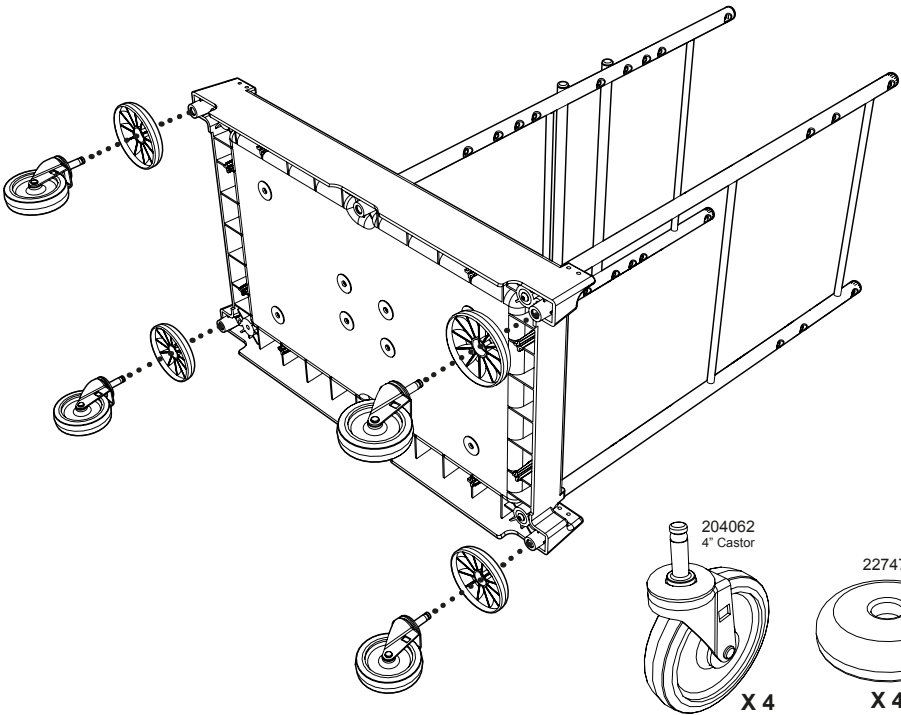
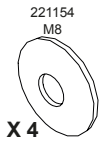
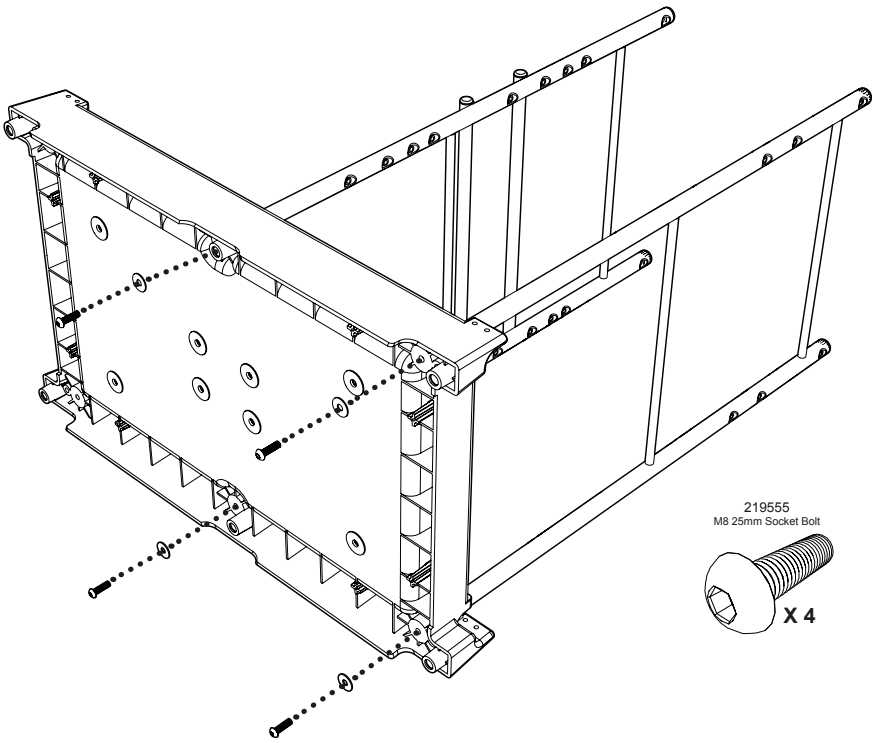


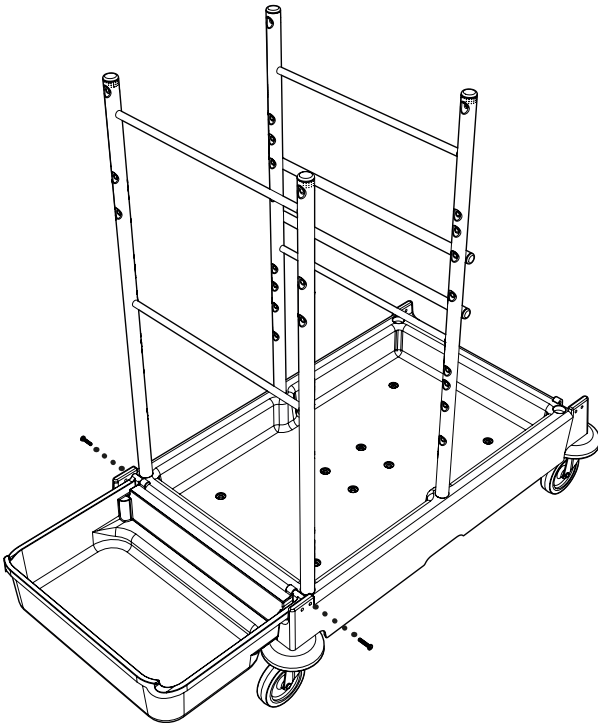
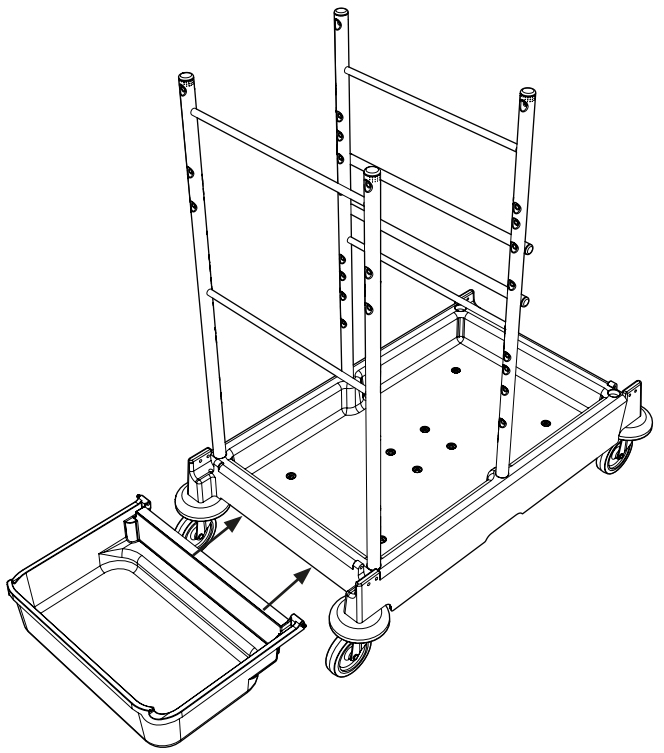
219602  
No6 1 Inch



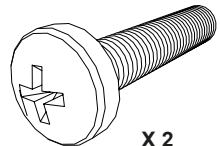
227479  
Buffer







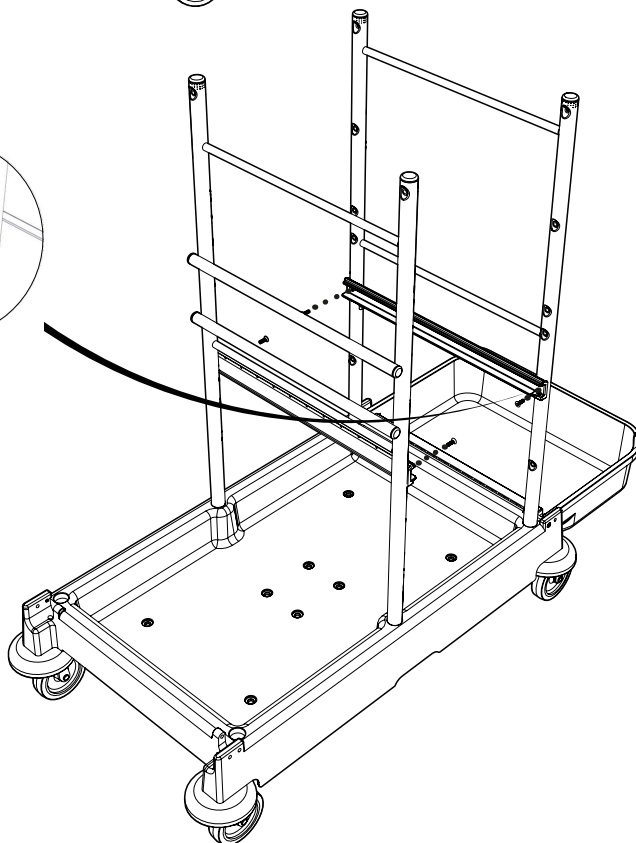
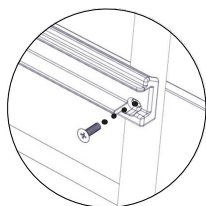
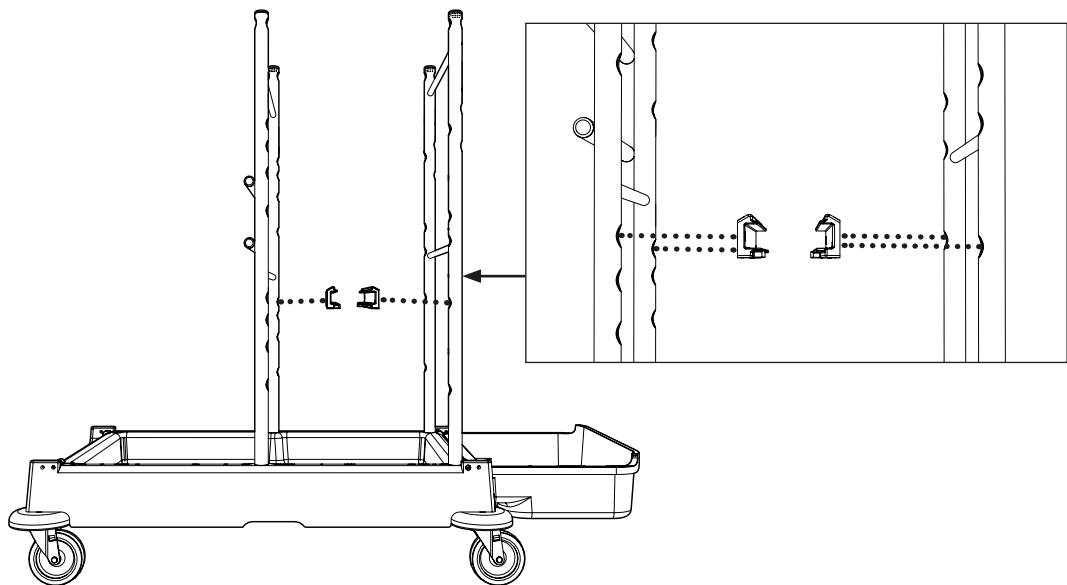
219057  
No6 1 Inch



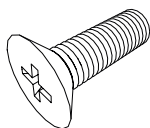
X 2



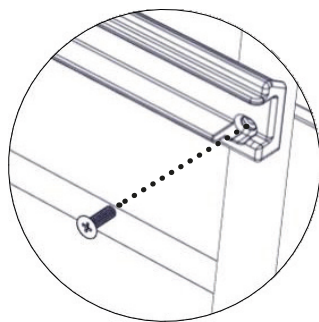
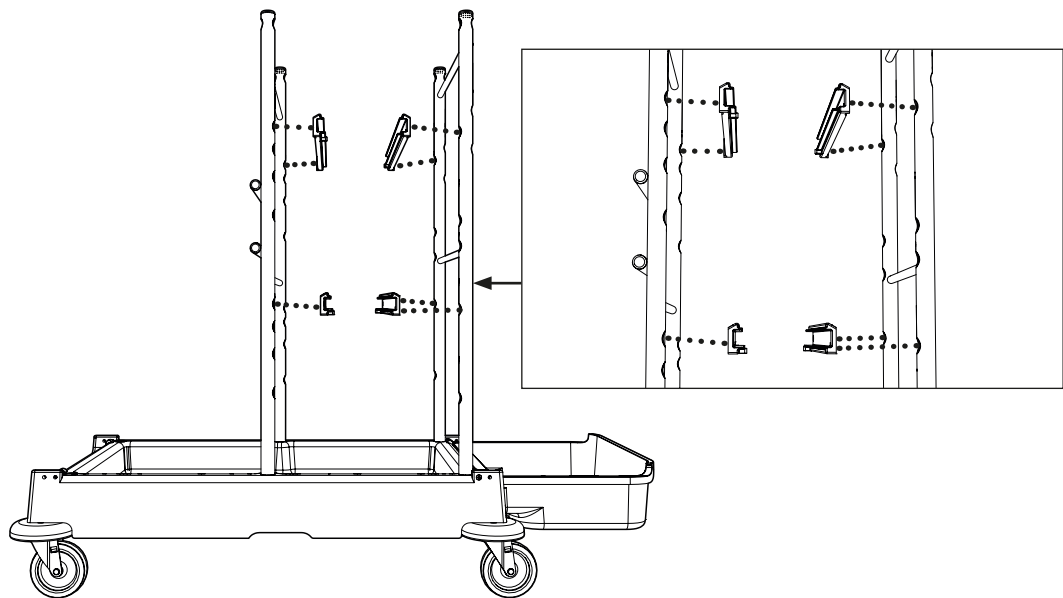
# ServoMatic SM-1705



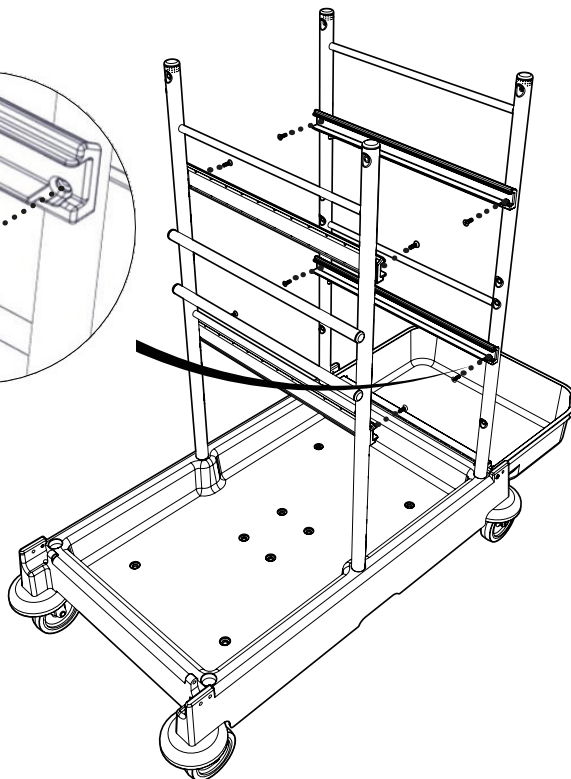
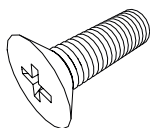
219282  
M5 x 16mm



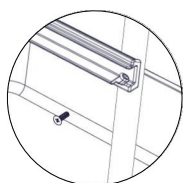
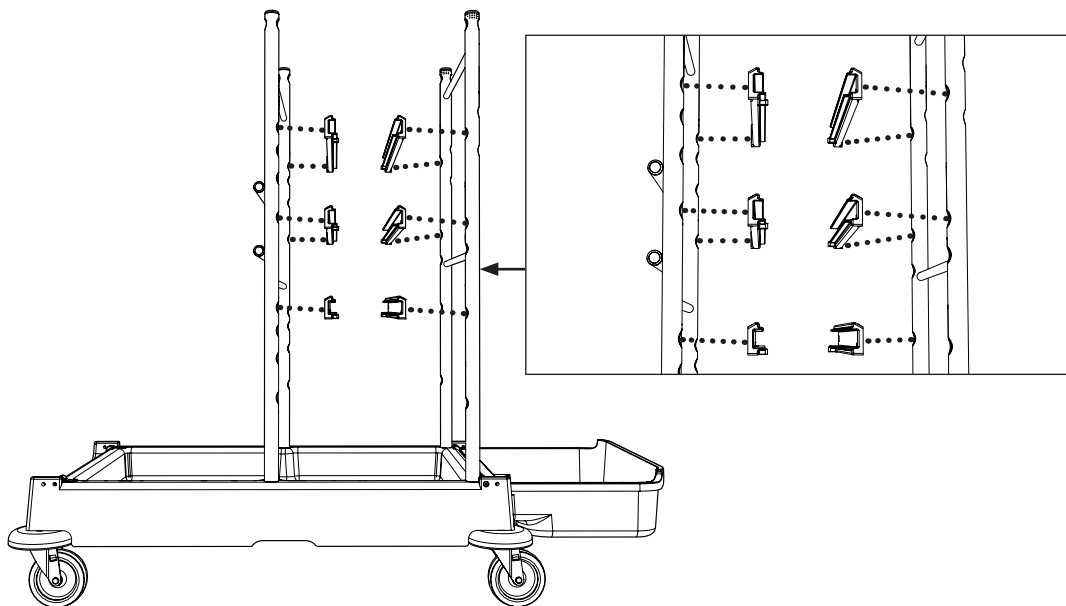
# ServoMatic SM-1706



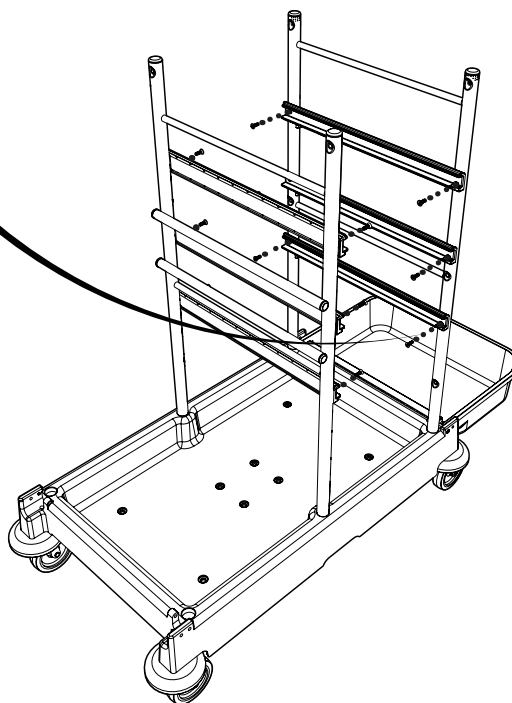
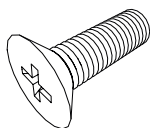
219282  
M5 x 16mm



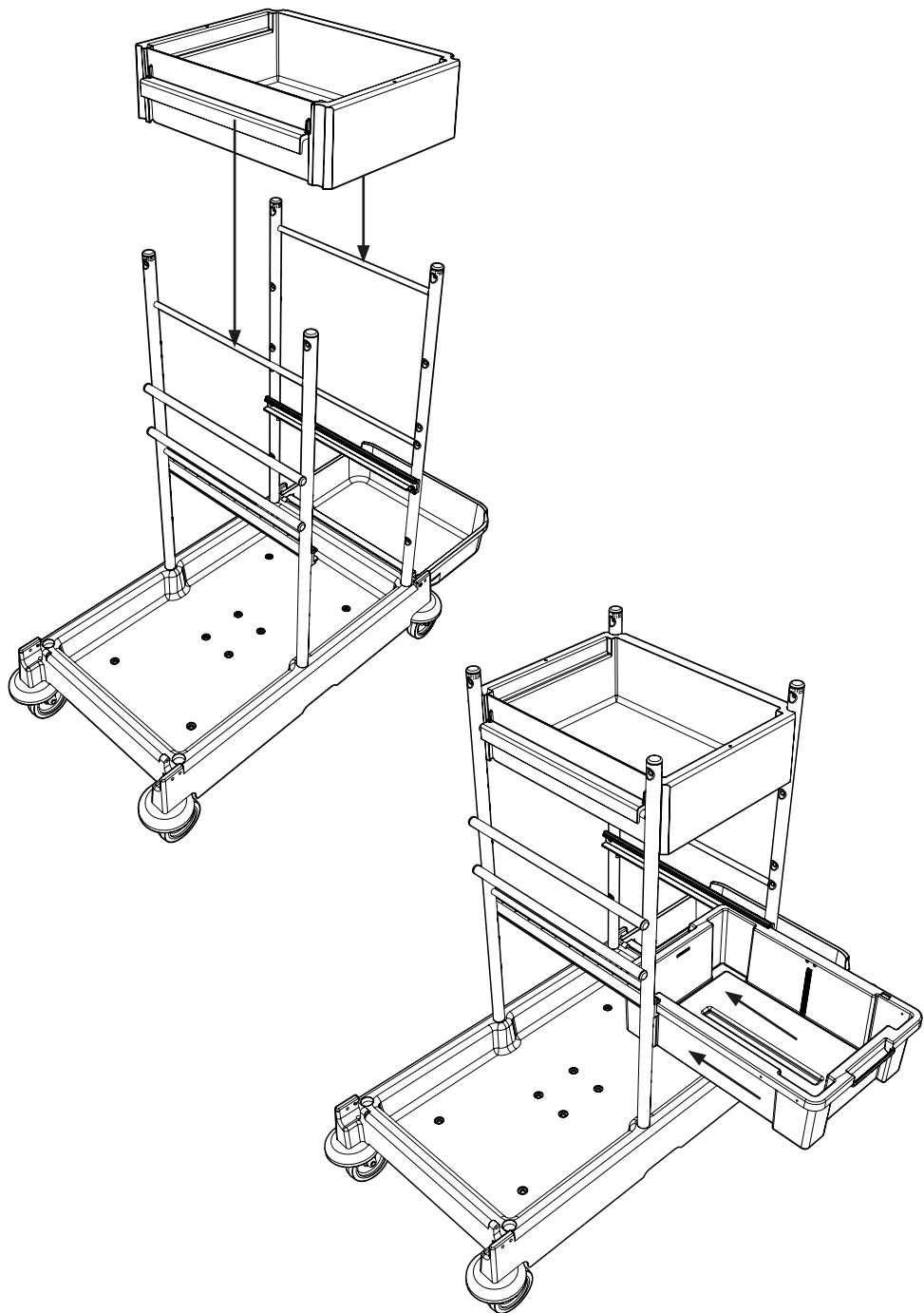
# ServoMatic SM-1707



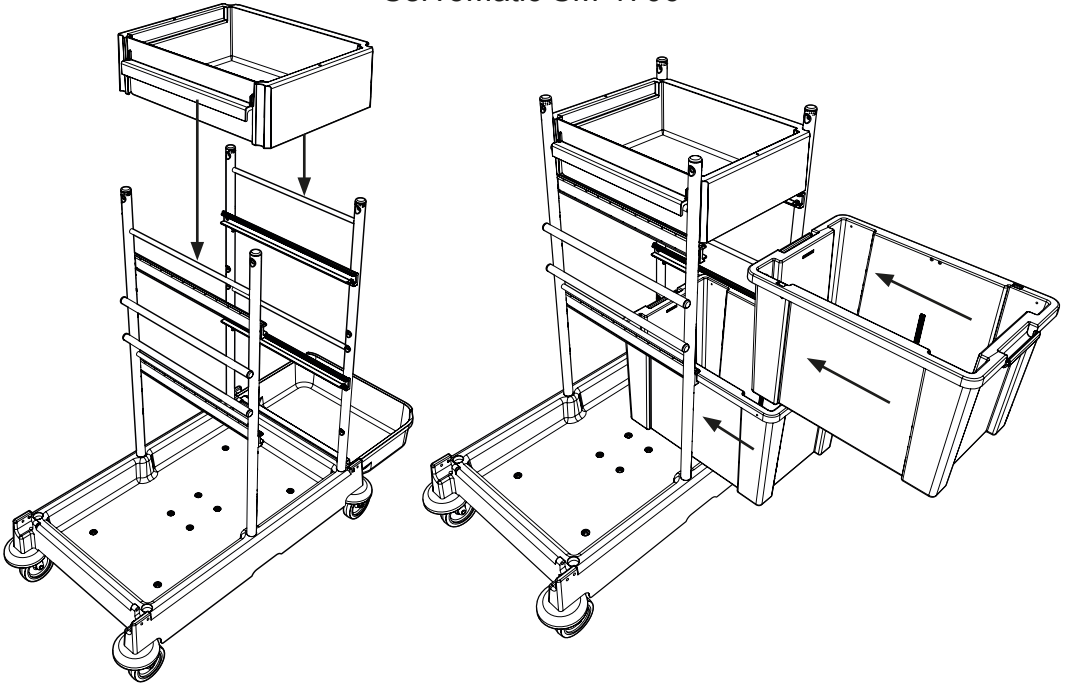
219282  
M5 x 16mm



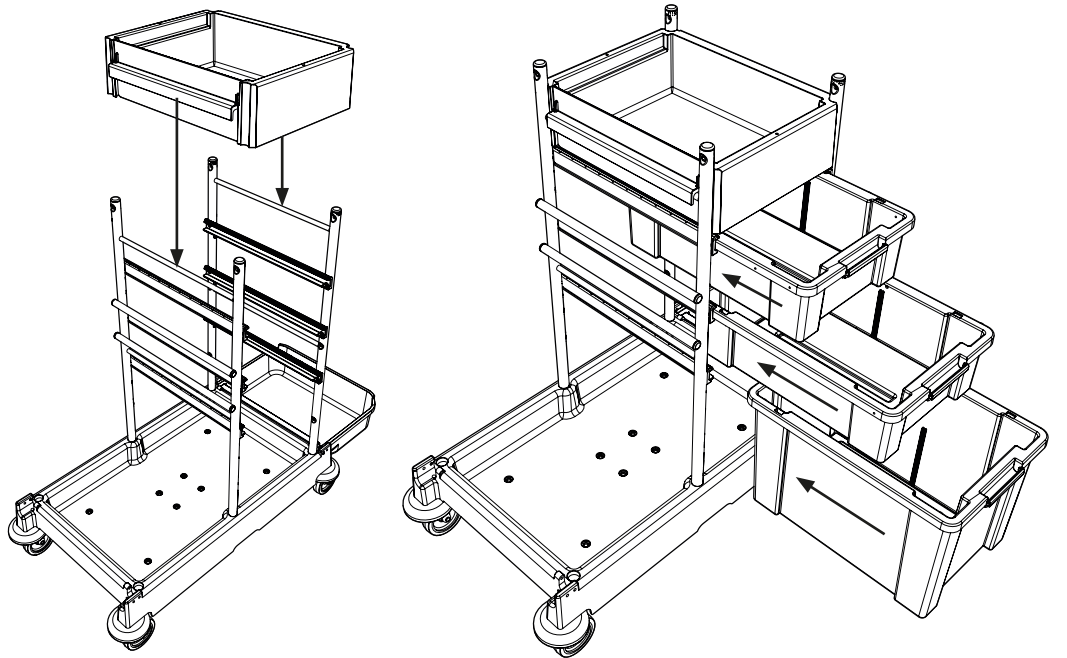
# ServoMatic SM-1705

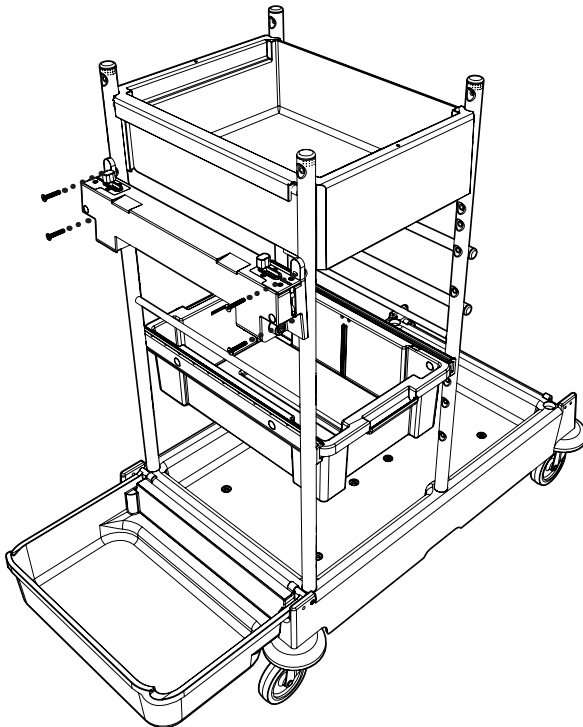
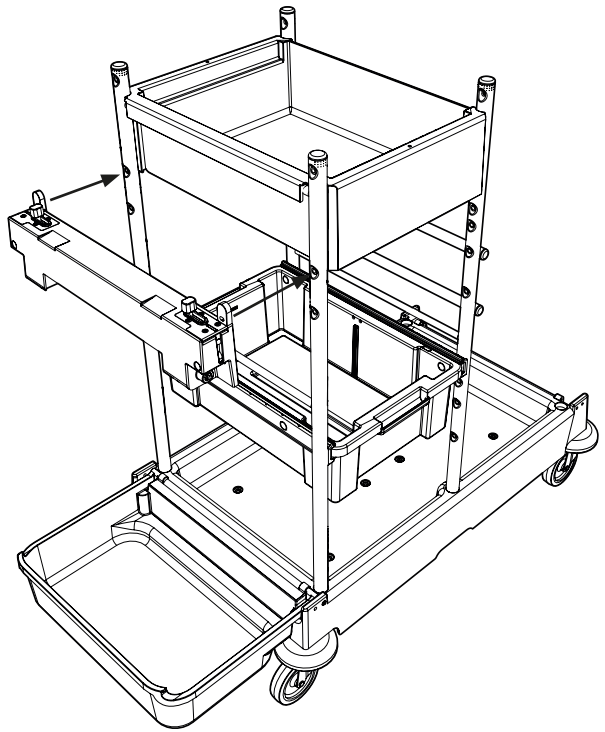


## ServoMatic SM-1706

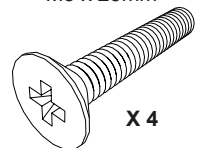


## ServoMatic SM-1707

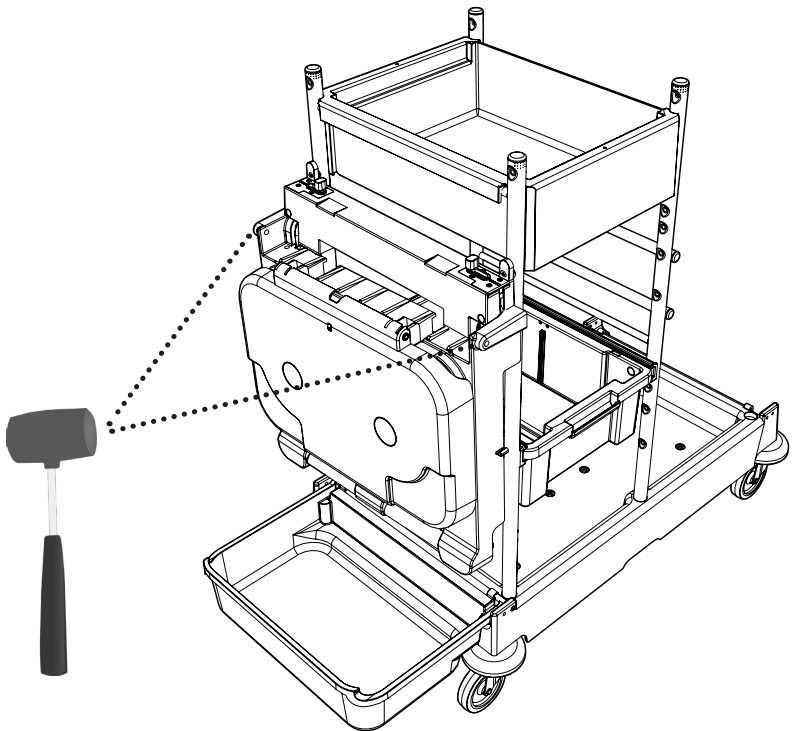
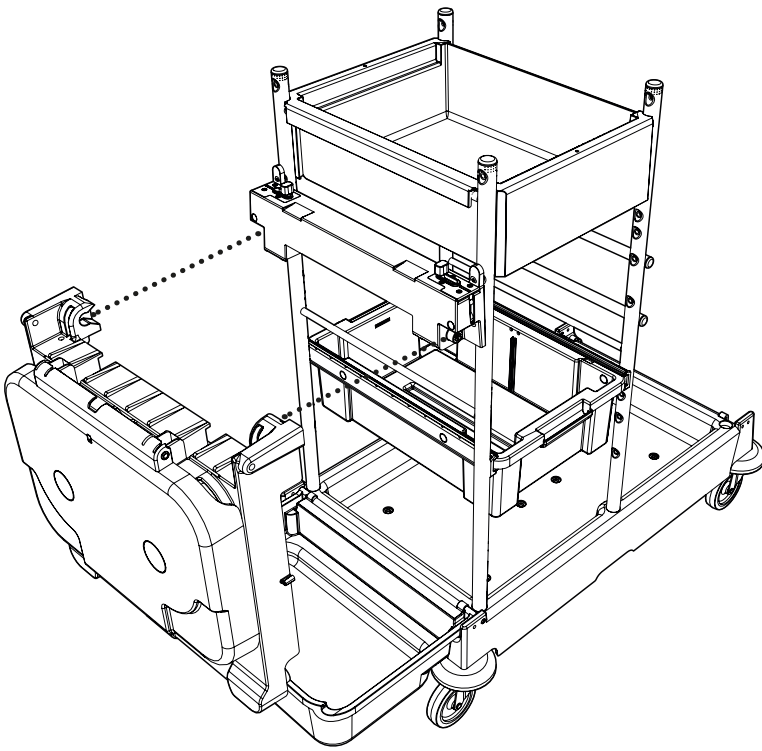


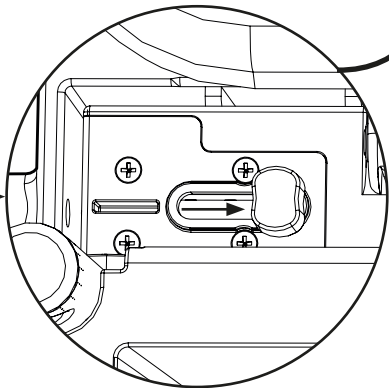
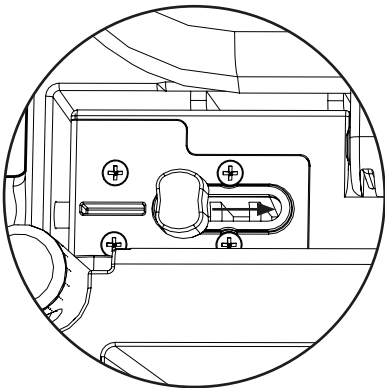
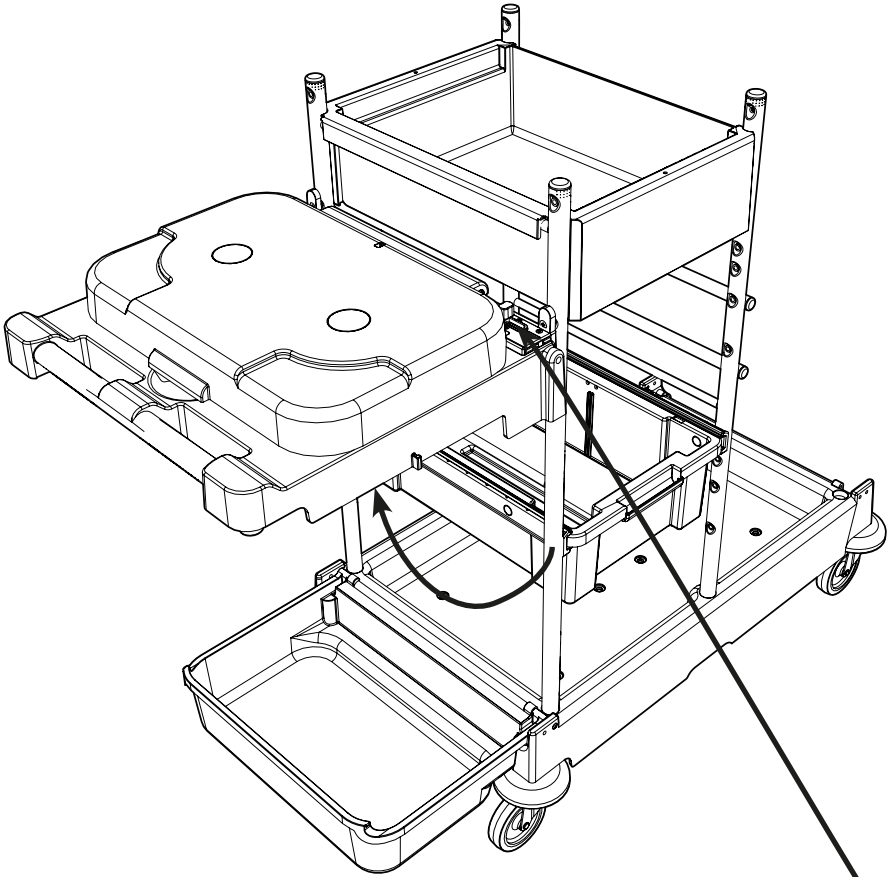


219057  
M5 x 25mm

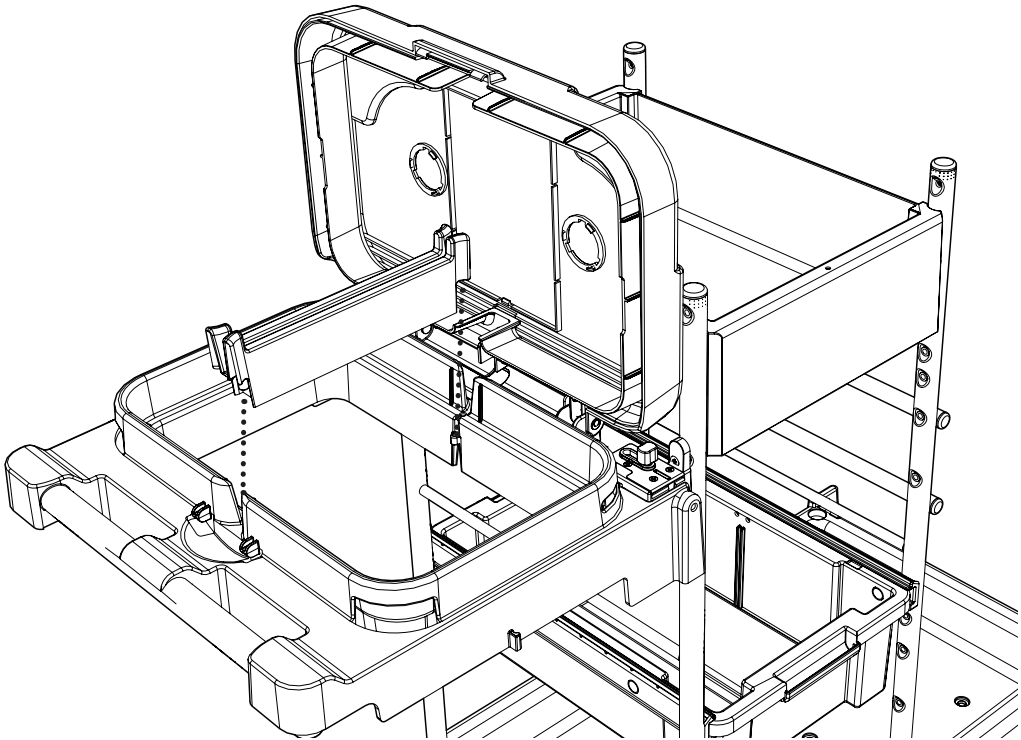
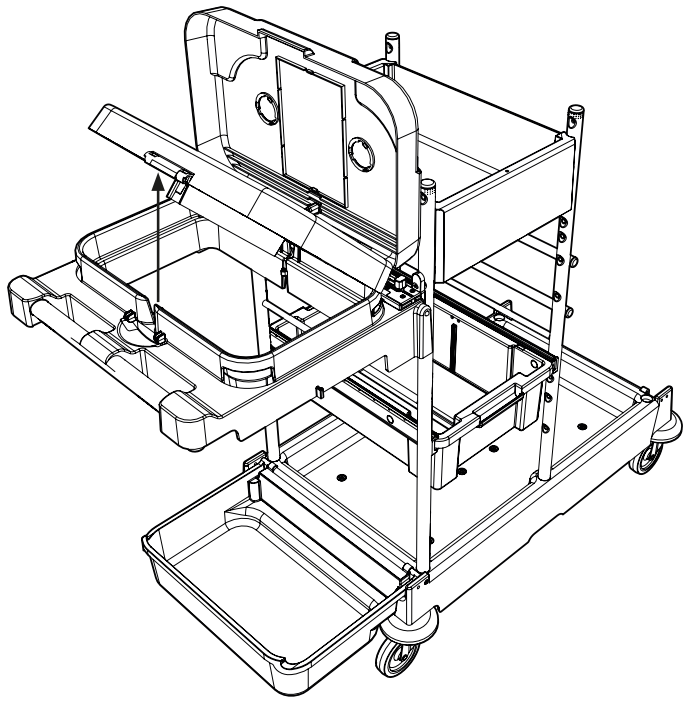
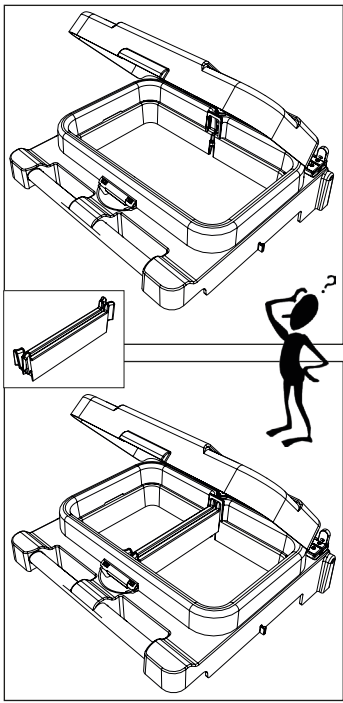


X 4

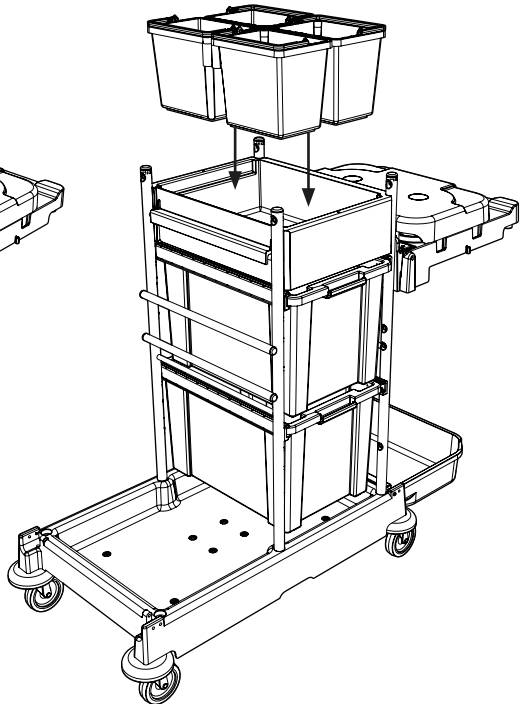
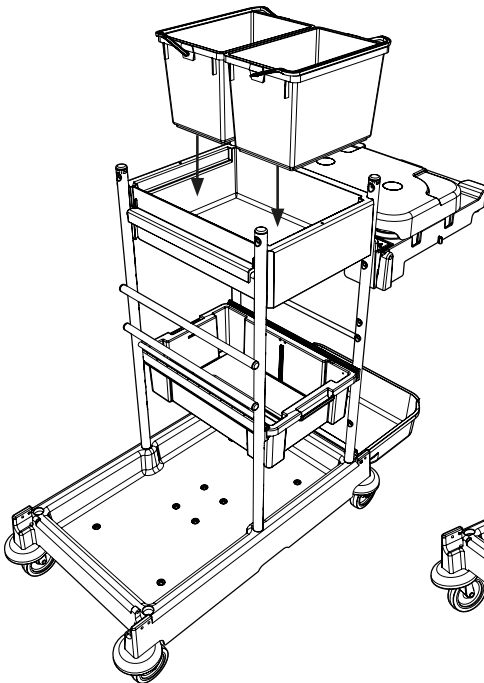
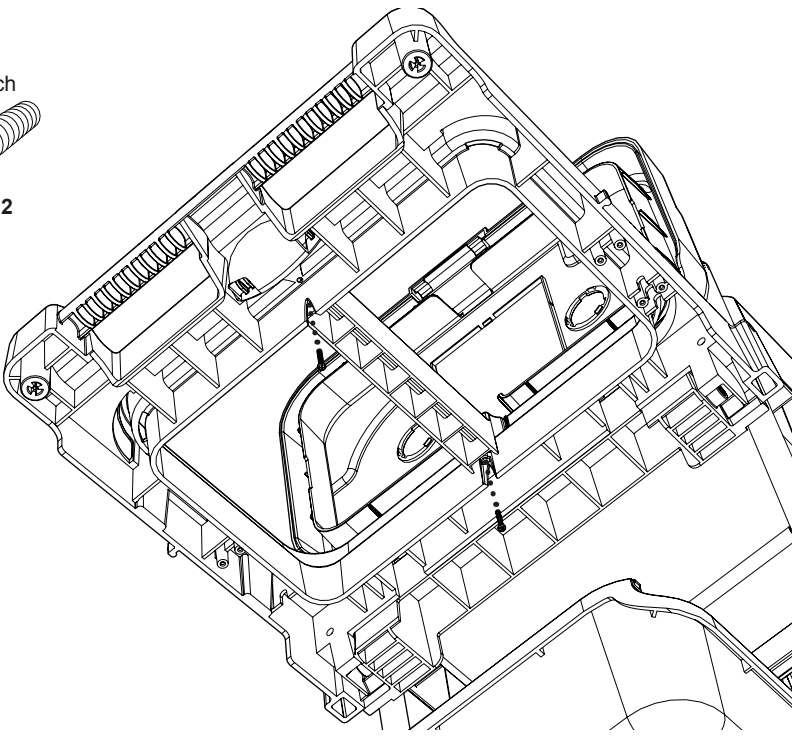
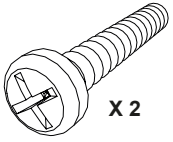






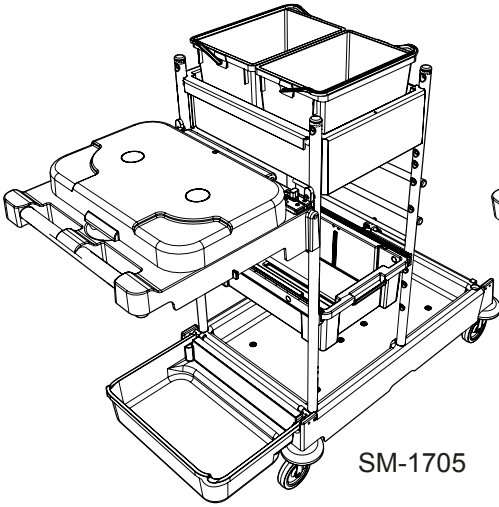


219602  
No6 x 1 Inch

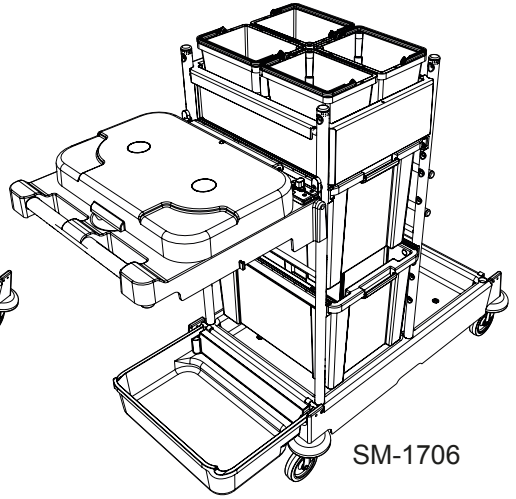




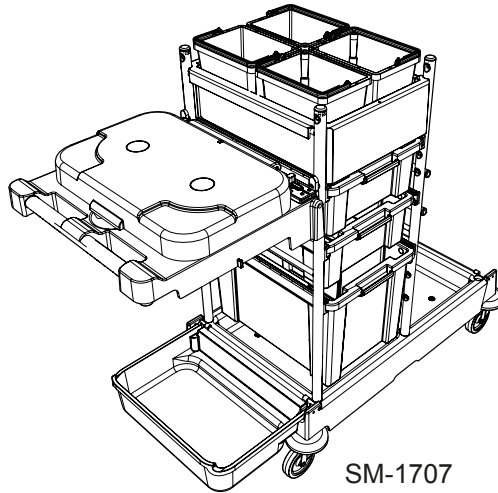
# ServoMatic SM-1705 / 1706 / 1707



SM-1705



SM-1706



SM-1707

