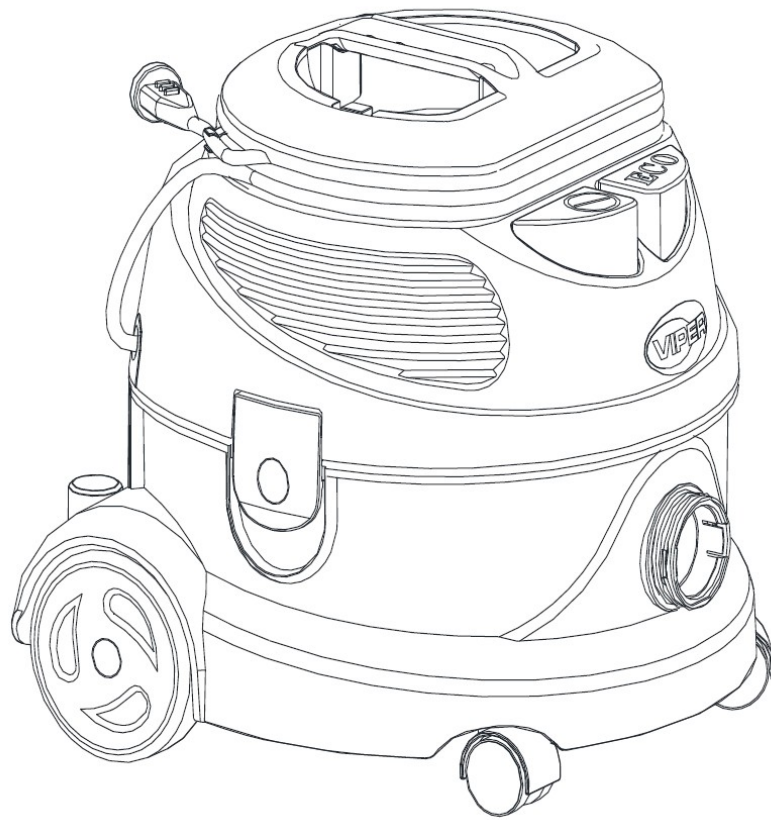


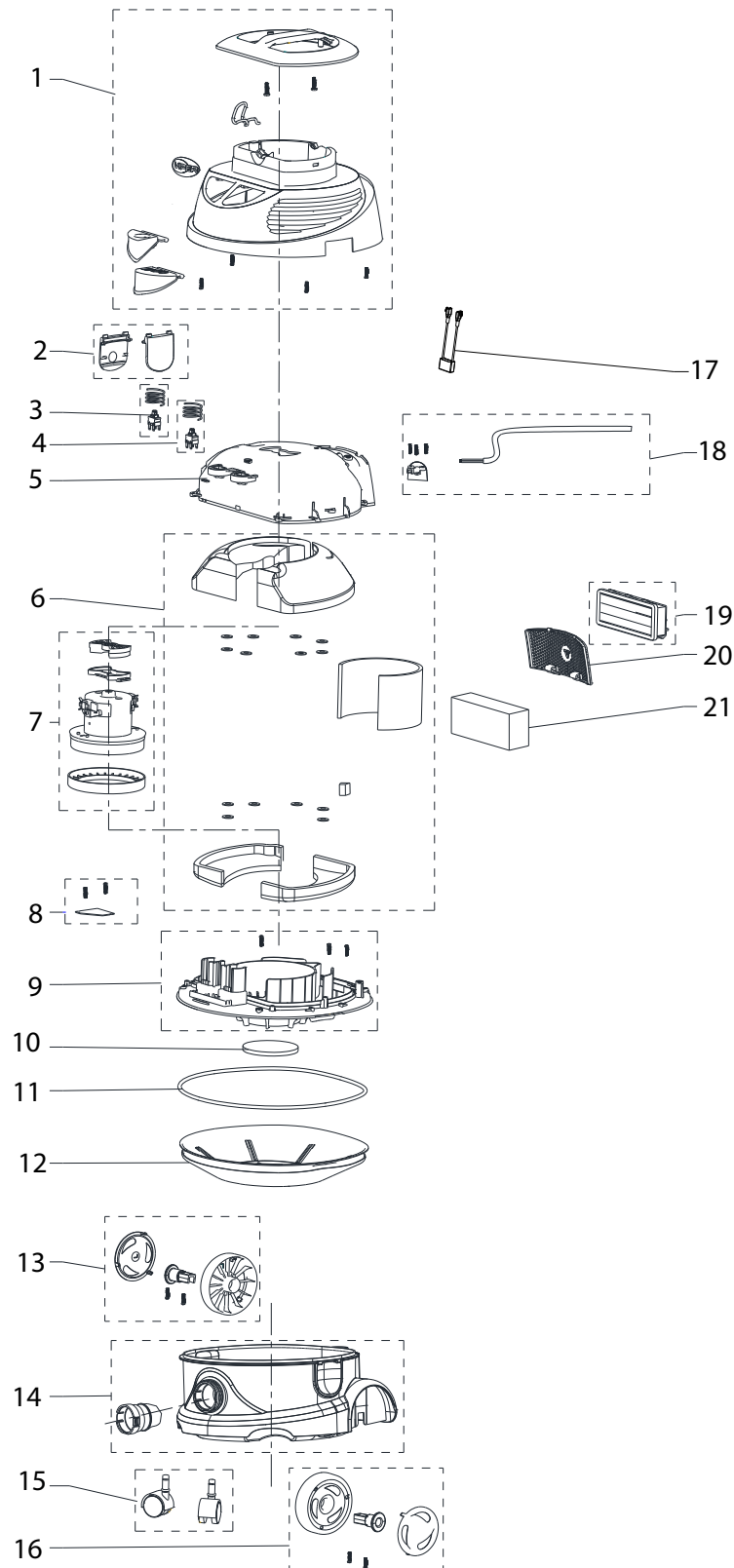
PARTS LIST



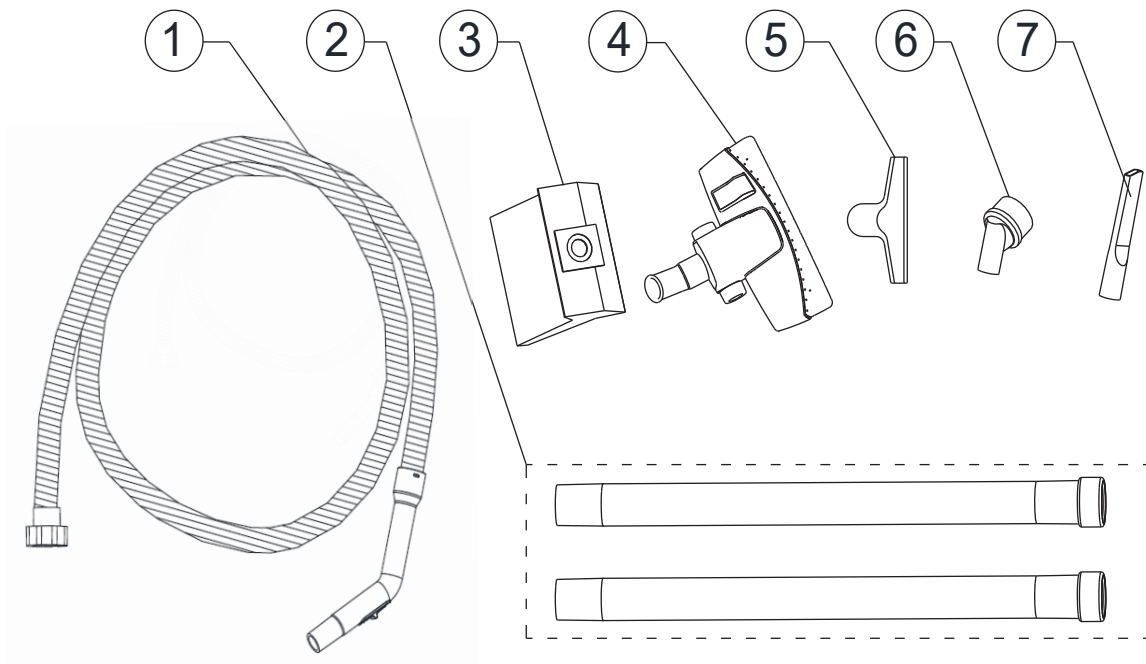
2023.01.24

TABLE OF CONTENTS

Overview1
Accessories3
WEAR AND TEAR PARTS5



Pos.	Artikelnummer	Hoeveelheid	Omschrijving	Notes
1	VA81375	1	DSU12/DSU15 MACHINE HEAD COVER KIT	
2	VA81360	1	EAGLE2 LATCH KIT	
3	VA81361	1	DSU12/DSU15 FOUR FEET SWITCH KIT	
4	VA81377	1	DSU12/DSU15 TWO FEET SWITCH KIT	
5	VA85029	1	DSU12 AND DSU15 MOTOR COVER KIT	
6	VA81378	1	DSU12/DSU15 NOISE REDUCTION SPONGE KIT	
7	VA81379	1	Motor DSU12 AND DSU15	
8	VA81374	1	PCBA AND FIXING SCREW KIT	
9	VA81380	1	DSU12/DSU15 MOTOR MOUNTING BASE KIT	
10	VA85064	1	EAGLE2 MOTR FRONT FILTER PLATE KIT	
11	VA81211	1	DSU12 AND DSU15 GASKET KIT	
12	VA81231	1	DSU12 AND DSU15 MAIN FILTER KIT	
13	VA81368	1	EAGLE2 RIGHT REAR BIG WHEEL KIT	
14	VA81381	1	DSU12 TANK + INTAKE KIT	
14	VA81382	1	DSU15 TANK + INTAKE KIT	
15	VA81599	1	Zwenkwiel set DSU	
16	VA81371	1	EAGLE2 LEFT REAR BIG WHEEL KIT	
17	VA81194	1	MOTOR CONNECTOR KIT	
18	VA81383	1	Snoer DSU12/DSU15	
18	VA81384	1	DSU12/DSU15 UK POWER CORD KIT	
19	VA85065	1	HEPA filter H13	
20	VA85032	1	DSU12 AND DSU15 EXHAUST COVER KIT	
21	VA81413-001	1	FOAM EXHAUST FILTER	



Pos.	Artikelnummer	Hoeveelheid	Omschrijving	Notes
1	VA81232	1	Zuigslang 32mm / 2mtr DSU	
2	VA81373	1	Zuigbuis set (2) 32mm	
3	VA81399-P10	1	12L HEPA BAG PACK 10PCS	
3	VA81400-P10	1	15L HEPA BAG PACK 10PCS	
3	VA81410	1	12L WASHABLE BAG OPTIONAL	
3	VA81411	2	15L WASHABLE BAG OPTIONAL	
4	VA81749	1	Combinatiemondstuk vloer 32mm	
5	VA81227	1	Meubelzuigmond 32mm	
6	VA81226	1	Plumeau 32mm	
7	VA20805-001	1	Kierenzuigmond 32mm	

Pos.	Artikelnummer	Hoeveelheid	Omschrijving	Notes
1	VA81232	1	Zuigslang 32mm / 2mtr DSU	
2	VA81373	1	Zuigbuis set (2) 32mm	
3	VA81399-P10	1	12L HEPA BAG PACK 10PCS	
3	VA81400-P10	1	15L HEPA BAG PACK 10PCS	
3	VA81410	1	12L WASHABLE BAG OPTIONAL	
3	VA81411	1	15L WASHABLE BAG OPTIONAL	
4	VA81749	1	Combinatiemondstuk vloer 32mm	
5	VA81227	1	Meubelzuigmond 32mm	
6	VA81226	1	Plumeau 32mm	
7	VA20805-001	1	Kierenzuigmond 32mm	
8	VA81413-001	1	FOAM EXHAUST FILTER	
9	VA85064	1	EAGLE2 MOTR FRONT FILTER PLATE KIT	

